



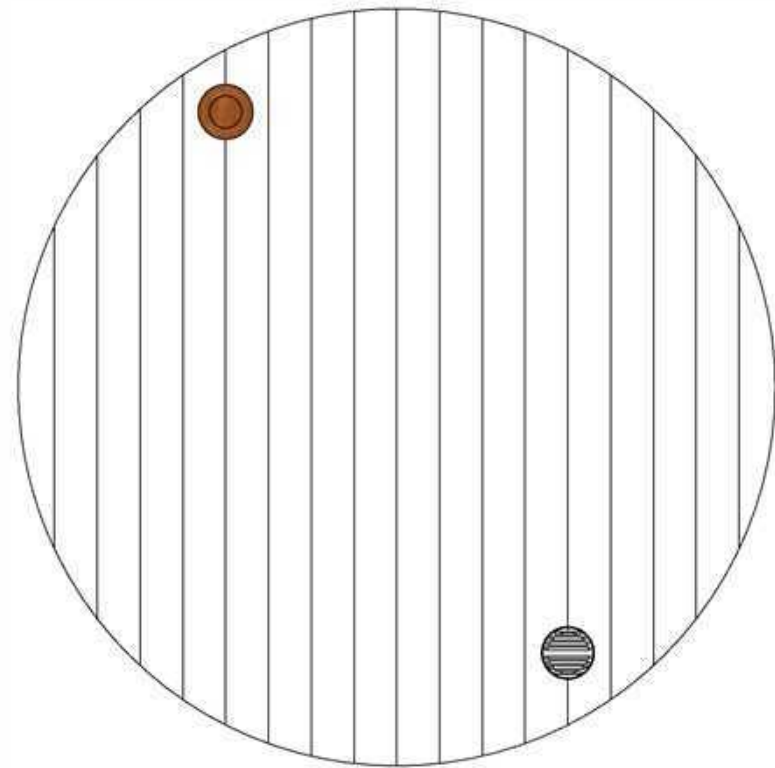
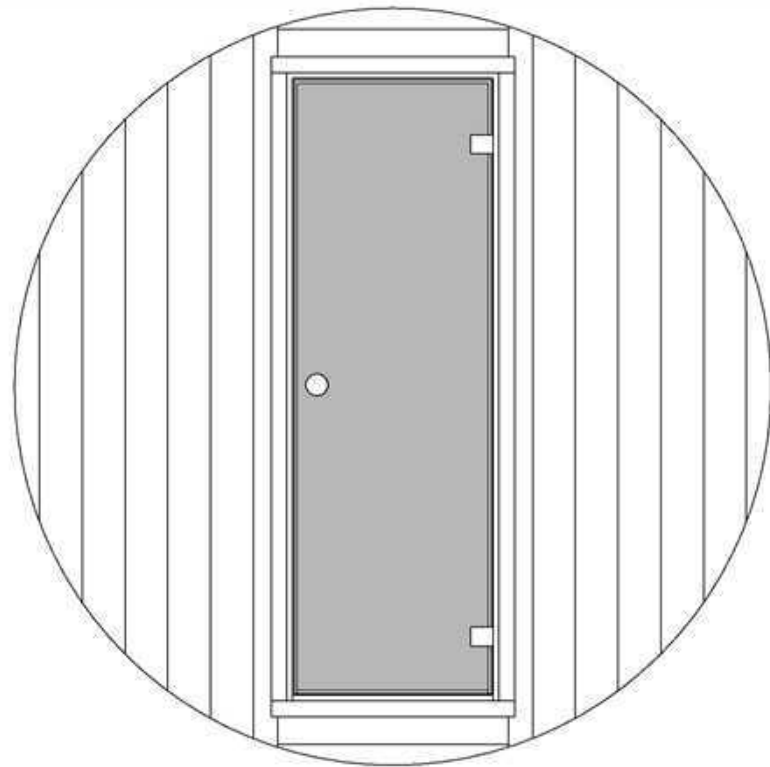
Ergo-Series E6 Barrel Sauna  
59D" x 81H"



**Note: Please read manual before construction**

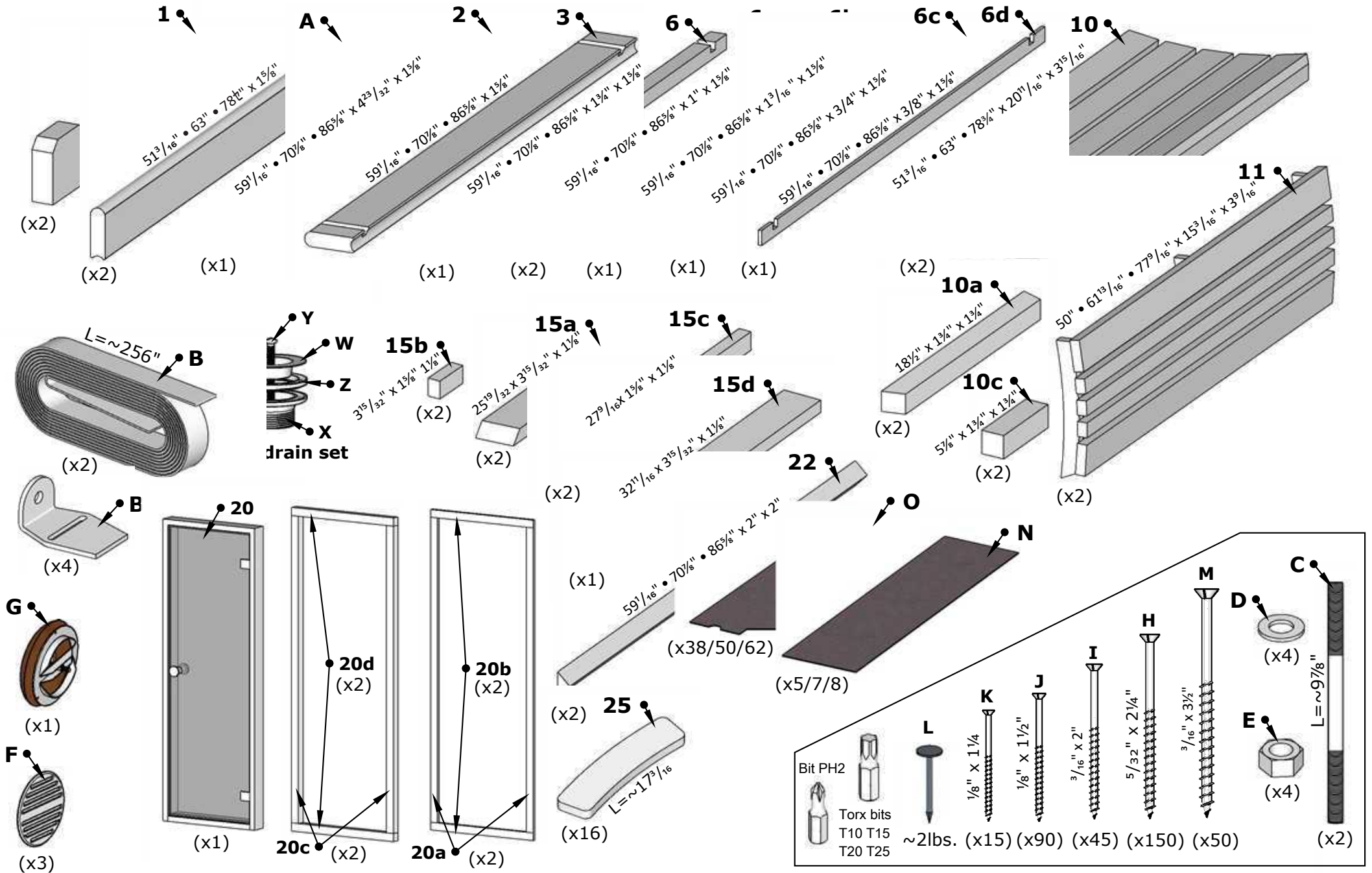
Rev 4/2023

# Front & Back Walls



# E6 Barrel Sauna 59D" x 81H"

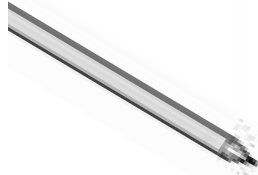
## Details list.



# Tools needed



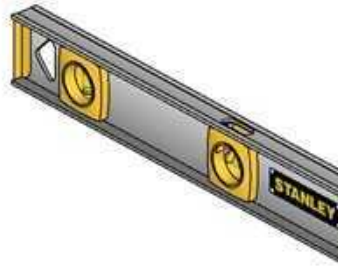
Measuring tape



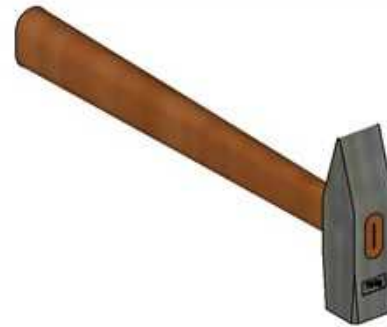
Marker pen



Circular saw



Water level



Hammer



Extra hands



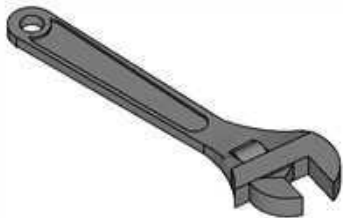
Ratchet strap



Silicone gun  
(Only glass-wall models)



Drill



Crescent wrench



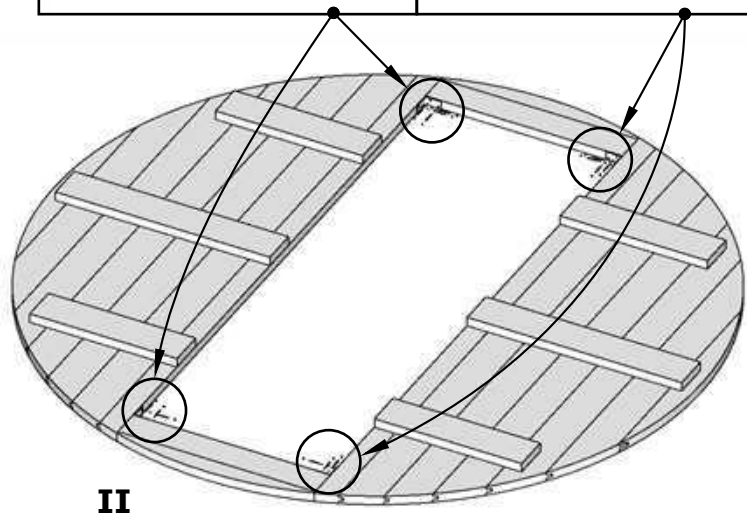
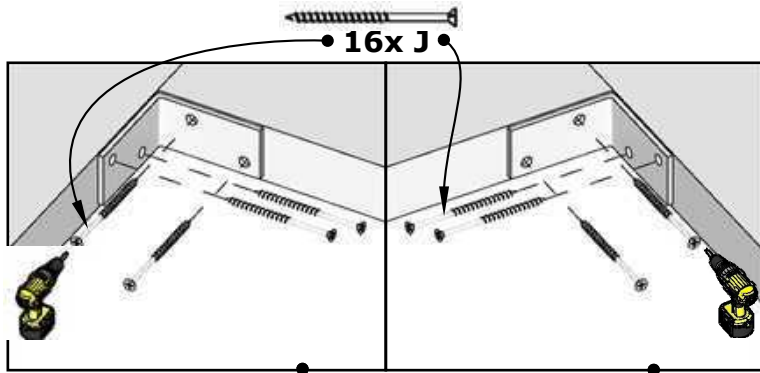
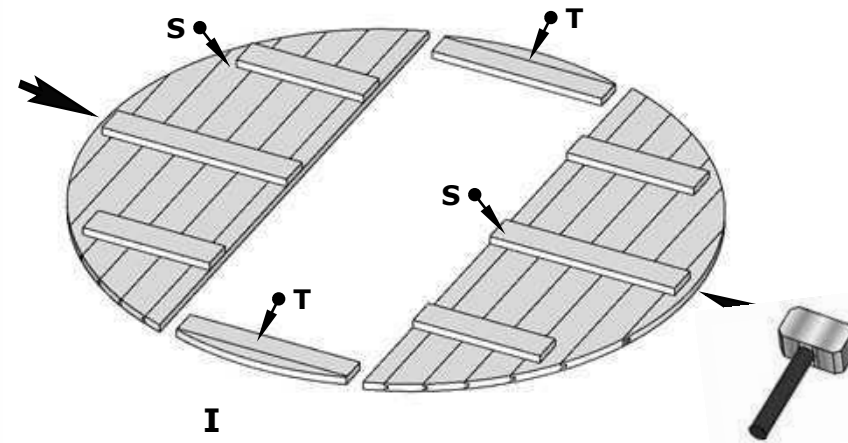
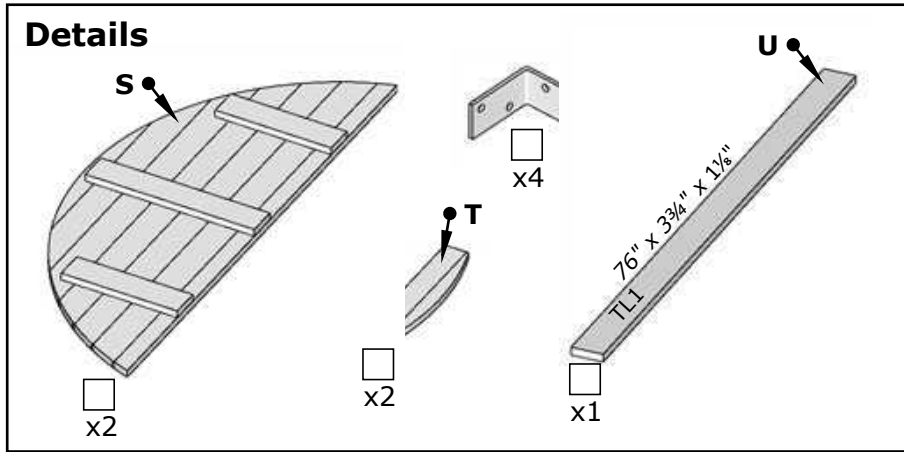
Utility knife



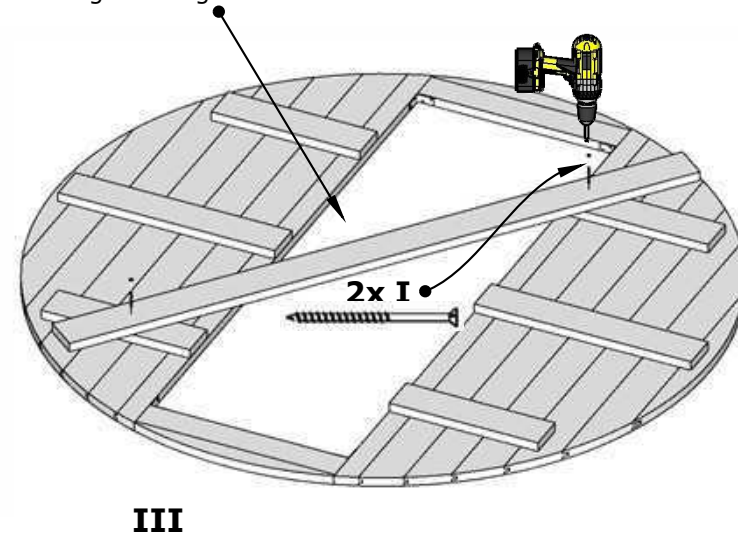
Rubber mallet

# Wooden front wall installation

## Details

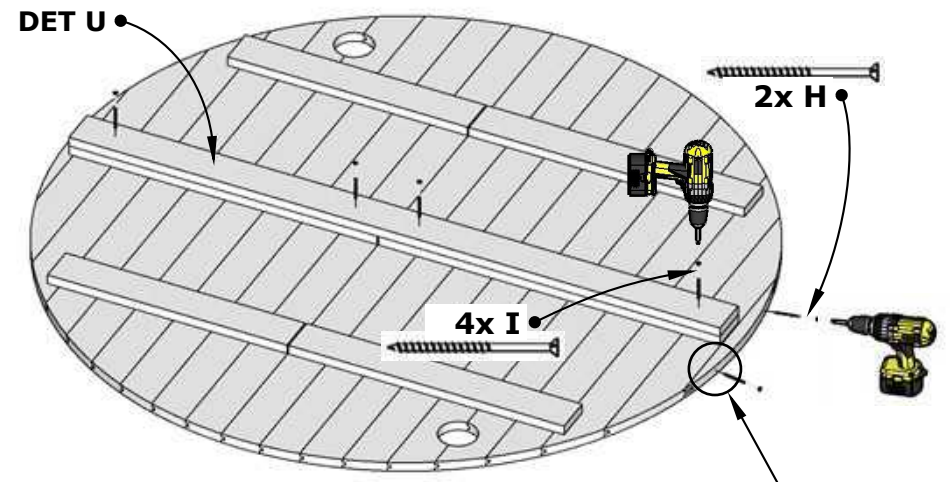
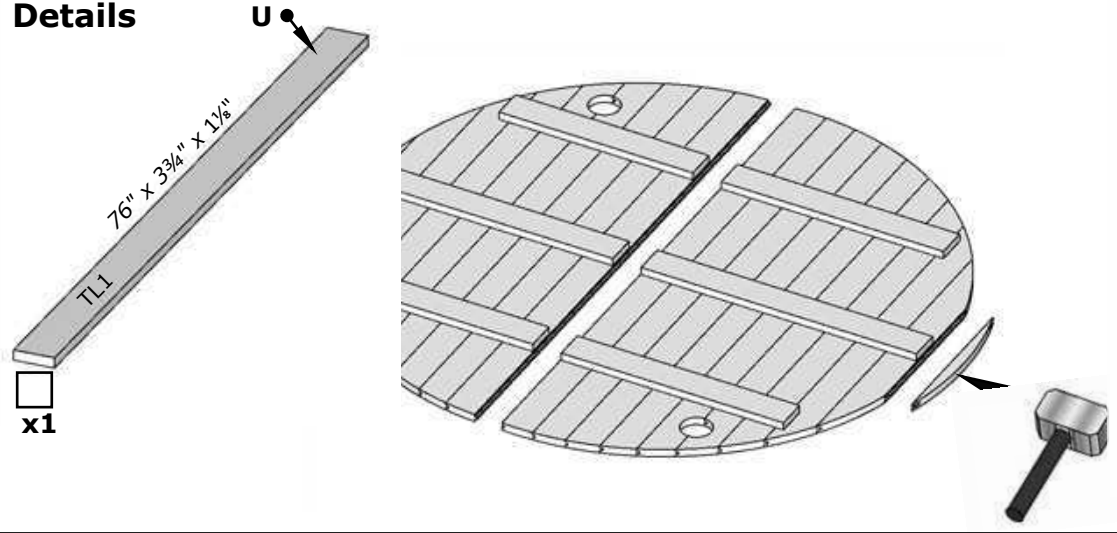


**DET U** Fix it diagonally to make wall more rigid during the installation.

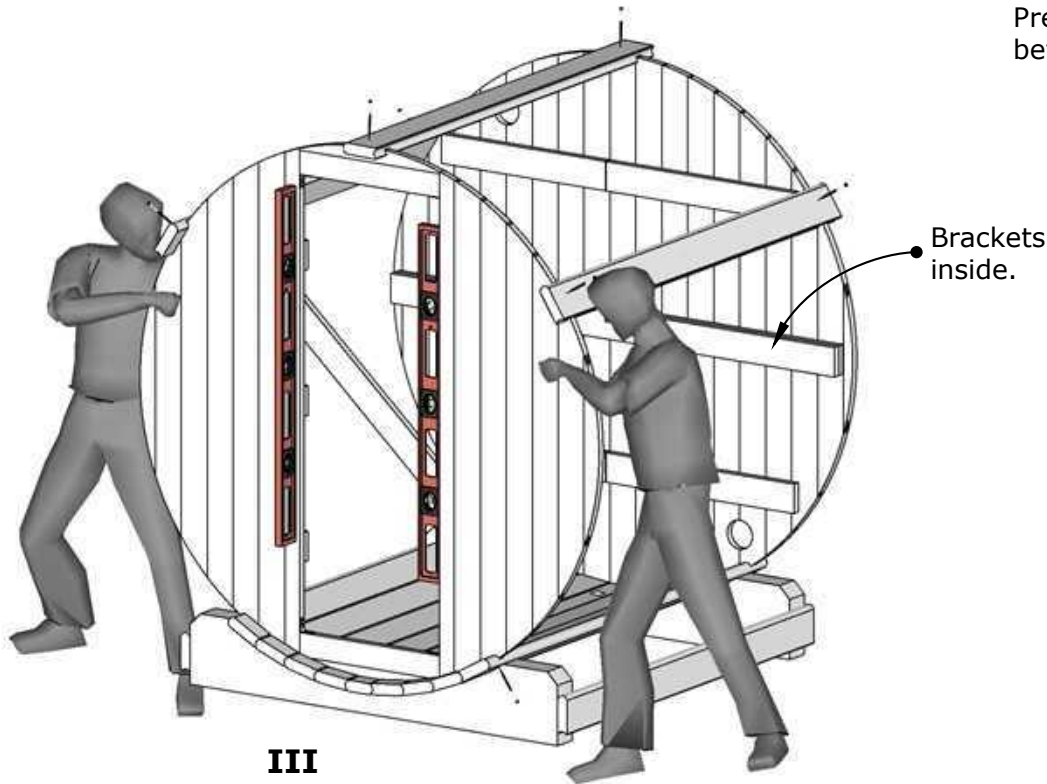
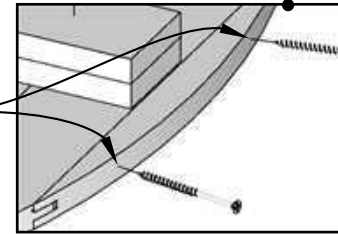


# Installation

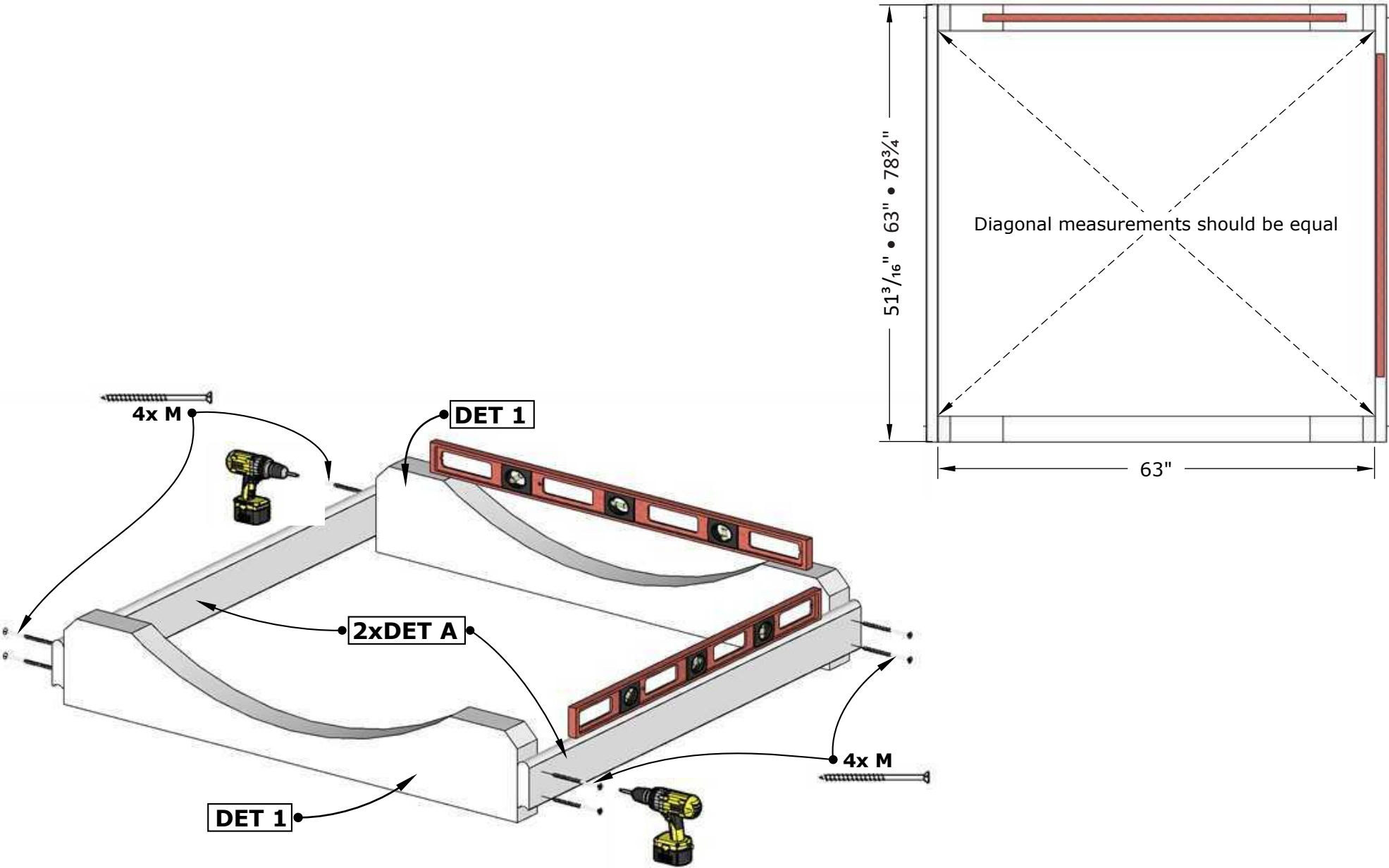
## Details



Pre-drill holes 5/32" before screws.

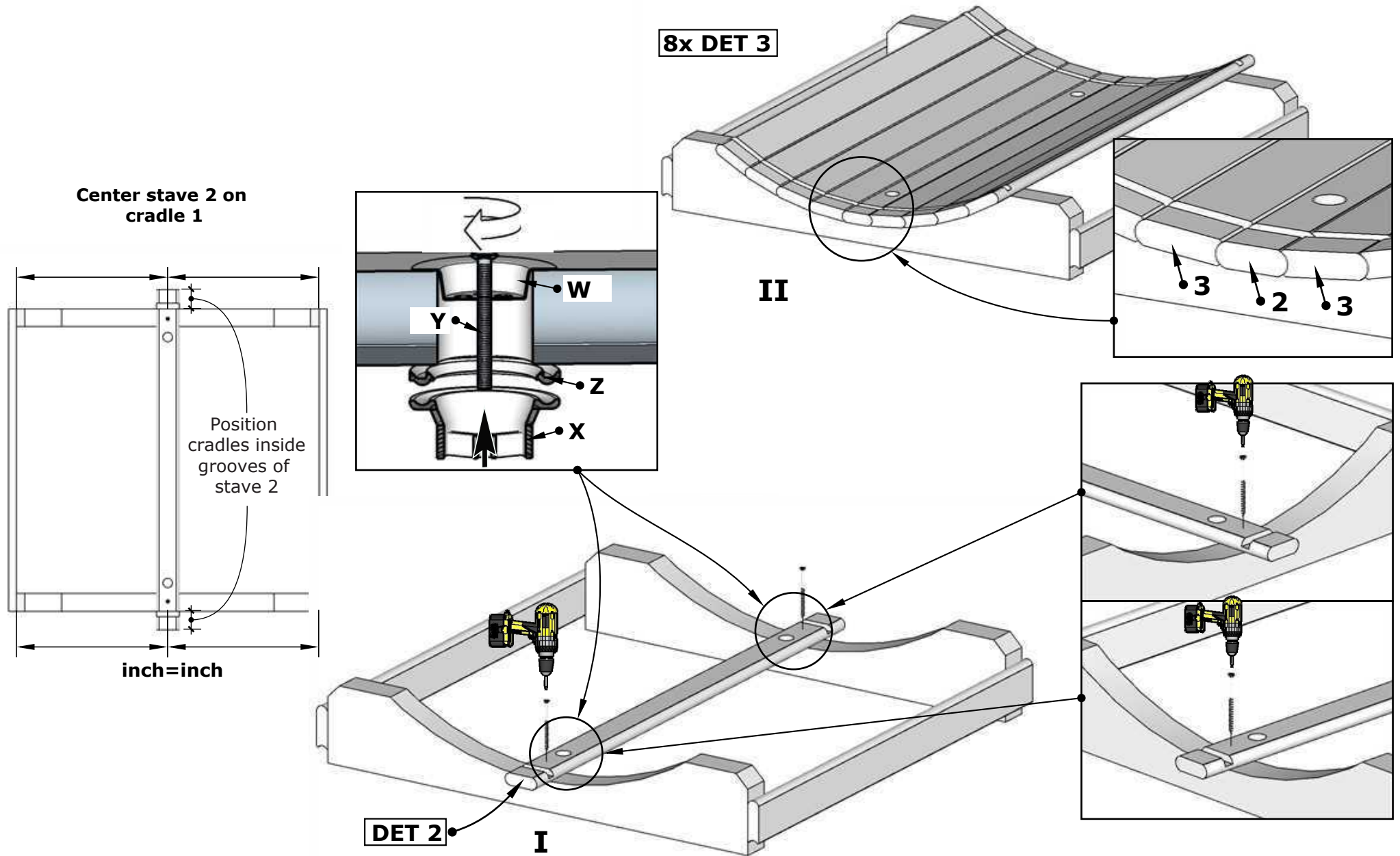


# E6 Barrel Sauna 59D" x 81H"



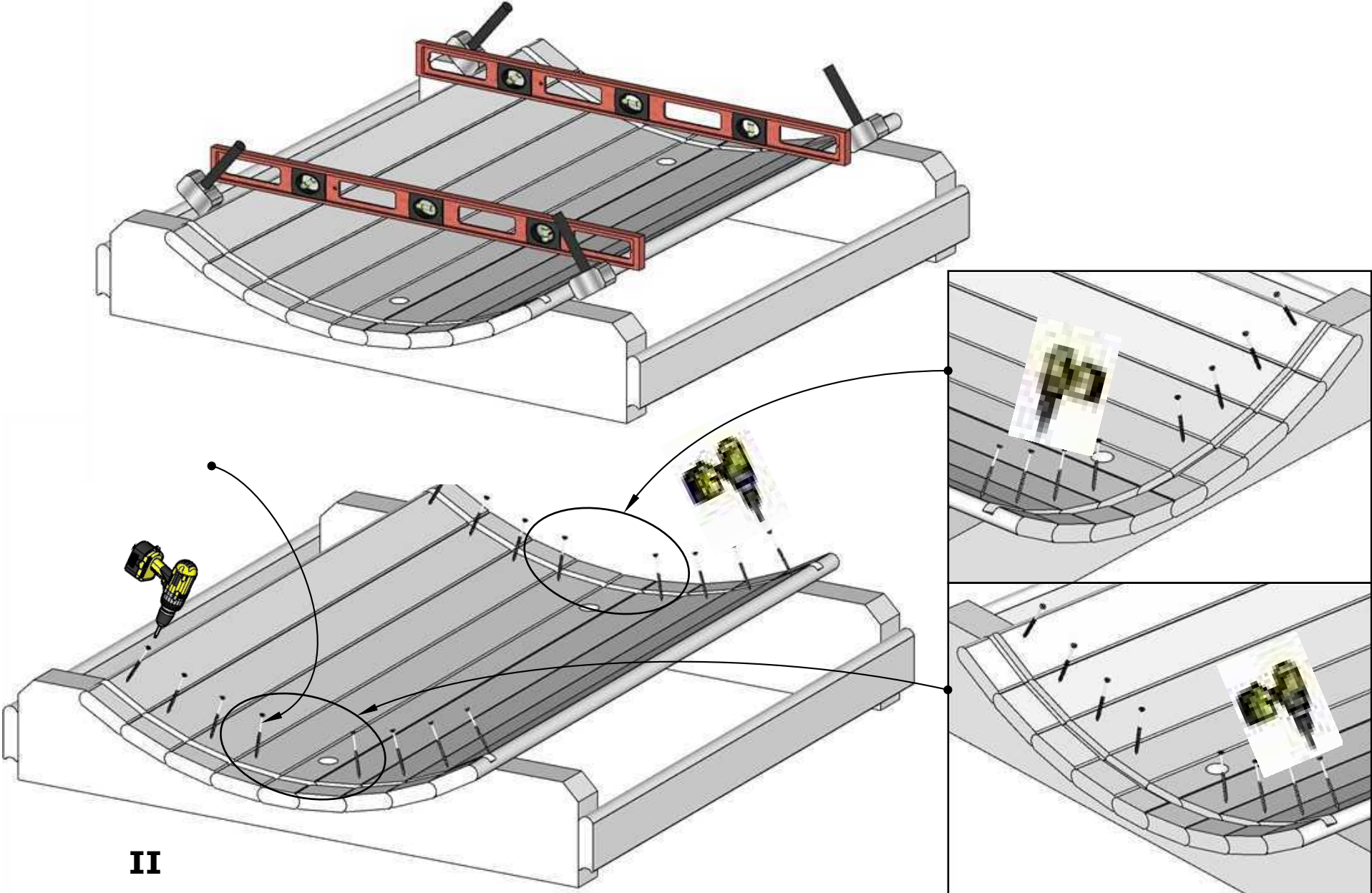
1.

# E6 Barrel Sauna 59D" x 81H"



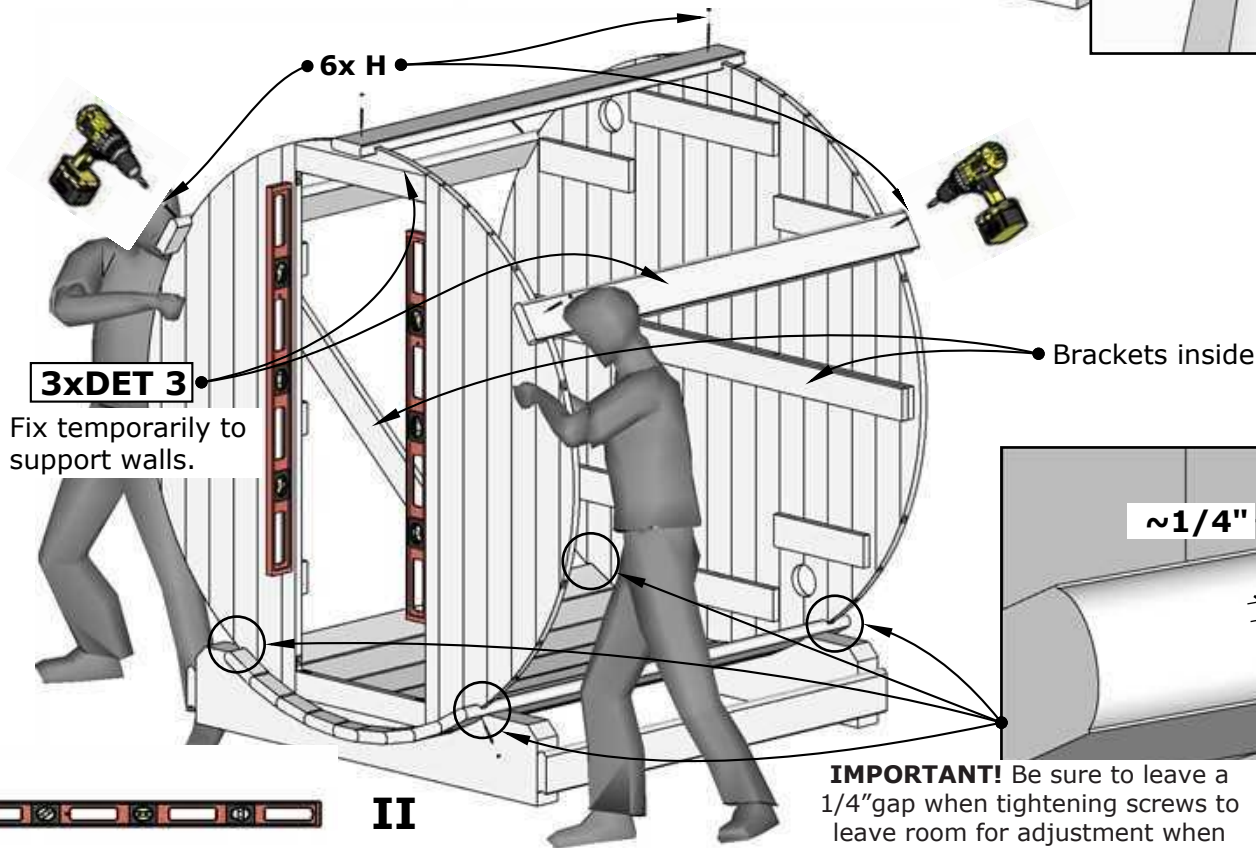
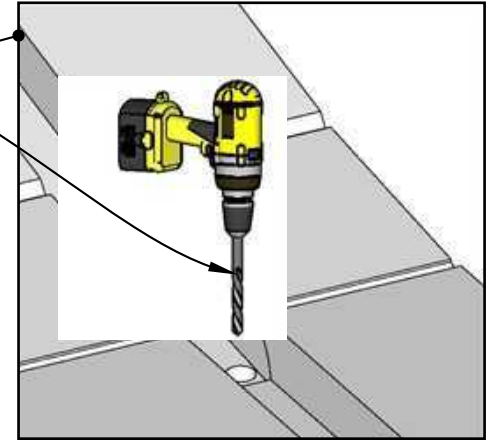
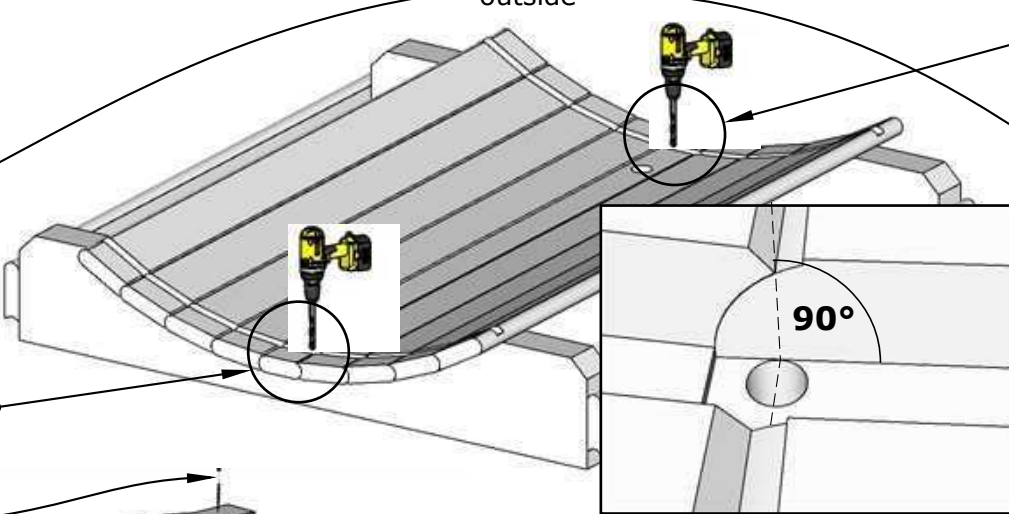
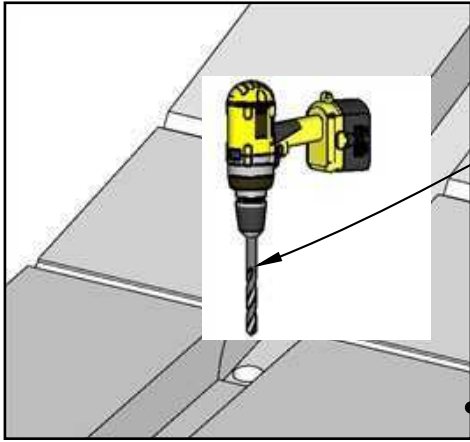


**E6 Barrel Sauna 59D" x 81H"**



# E6 Barrel Sauna 59D" x 81H"

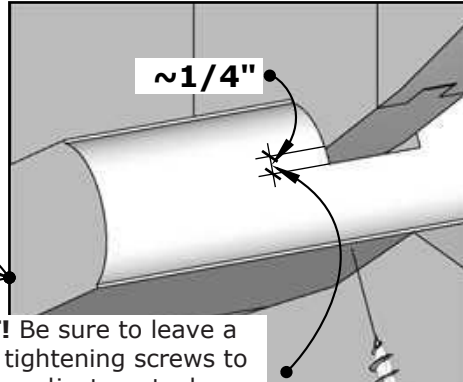
Drill 4 holes  $\varnothing 1/2"$   
through DET 2  
outside



**3xDET 3**  
Fix temporarily to support walls.

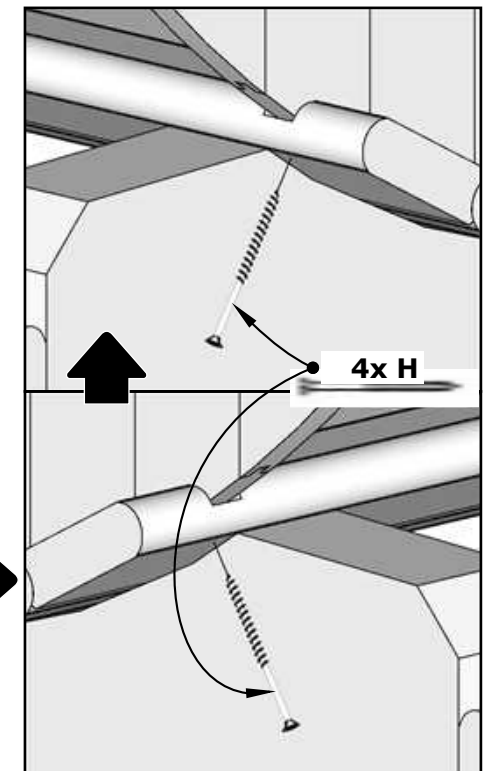
6x H

Brackets inside



$\sim 1/4"$

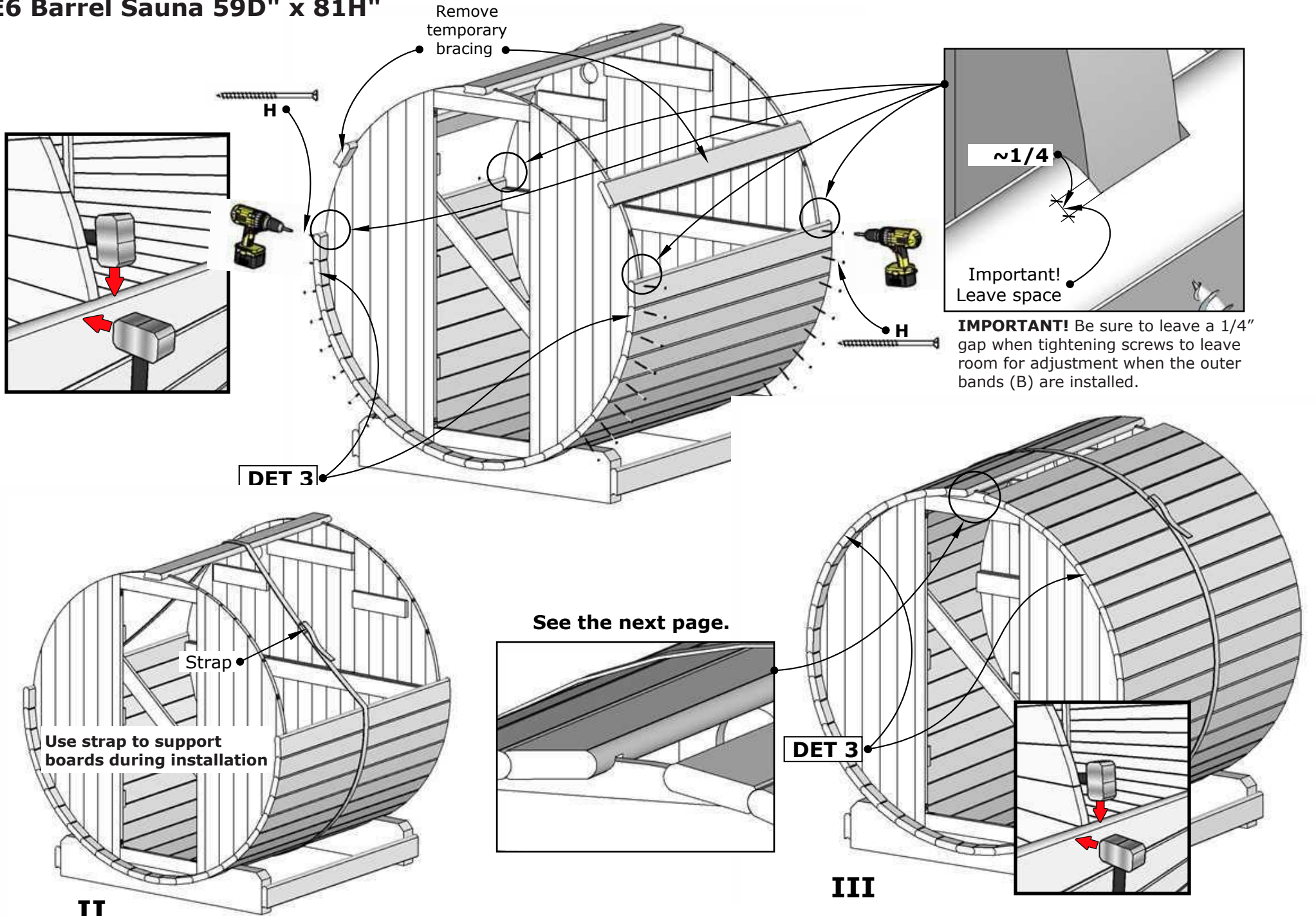
**IMPORTANT!** Be sure to leave a 1/4" gap when tightening screws to leave room for adjustment when the outer bands (B) are installed.



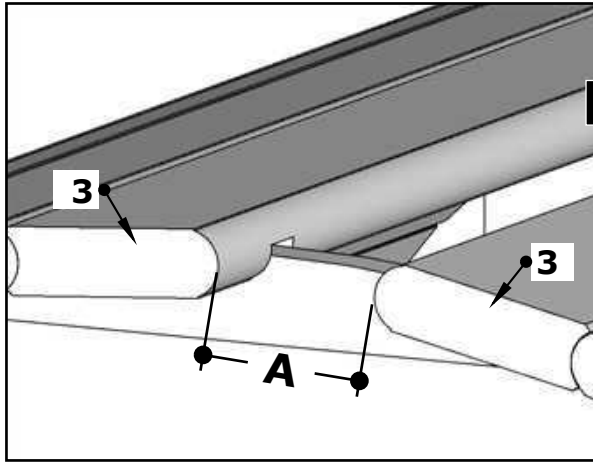
4x H

**II**

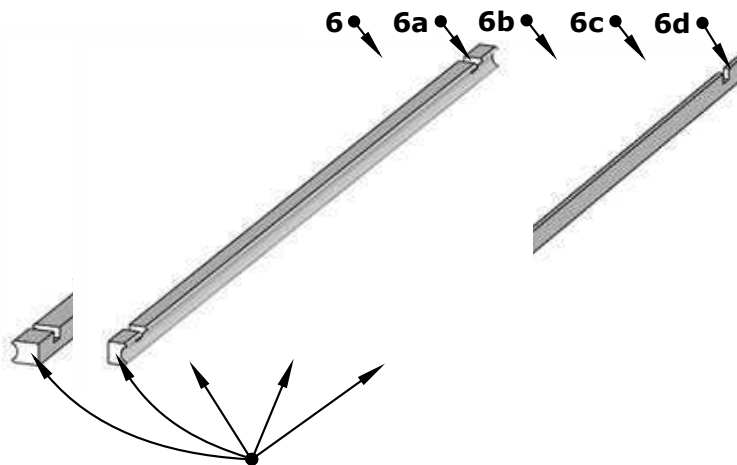
# E6 Barrel Sauna 59D" x 81H"



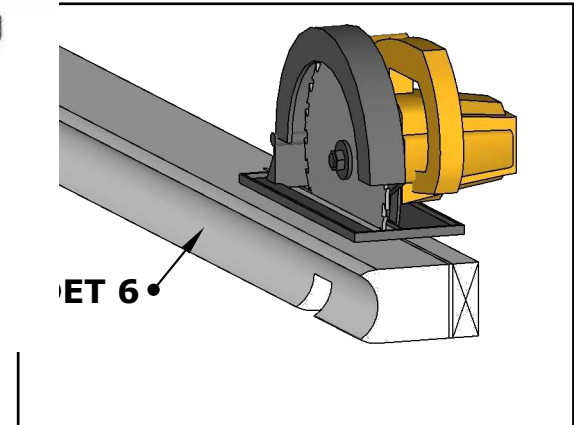
# E6 Barrel Sauna 59D" x 81H"



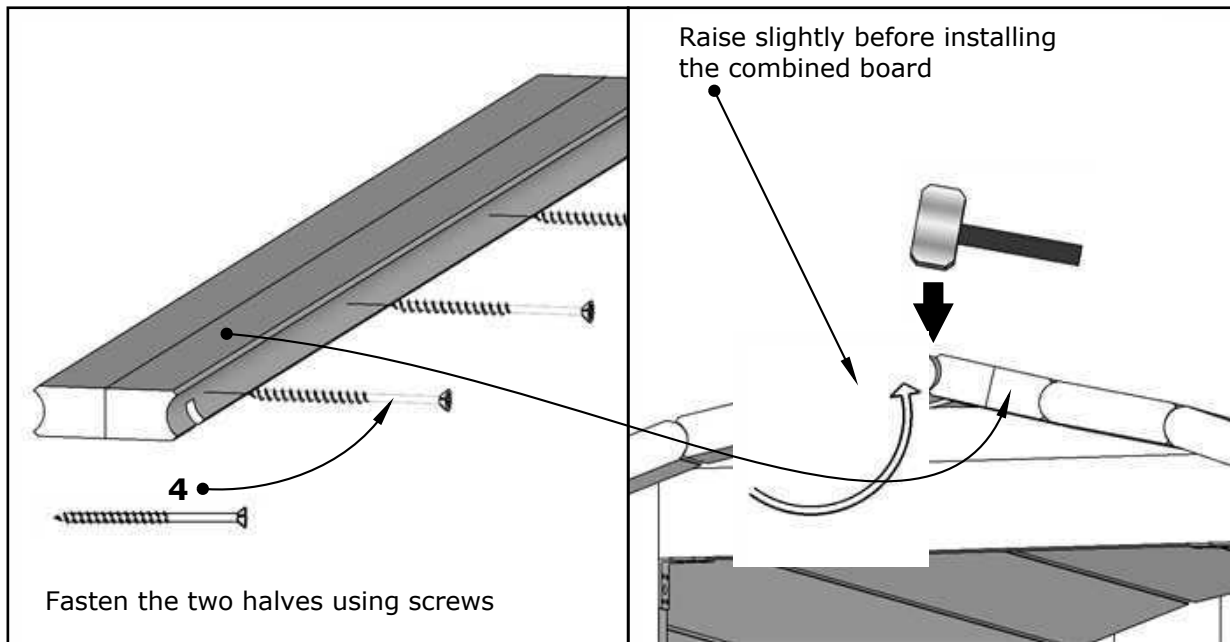
**I**



Join two boards together (as shown in diagram II) that will bridge the width of the "A" gap. It is recommended that the combined boards are approximately 1/4" wider than the gap.



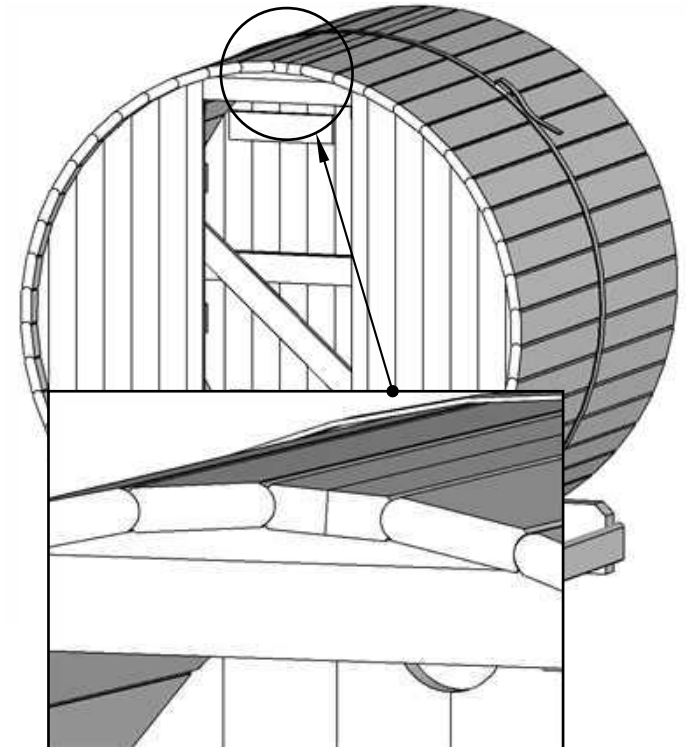
If needed, trim the flat edge of the board to create the desired width.



Fasten the two halves using screws

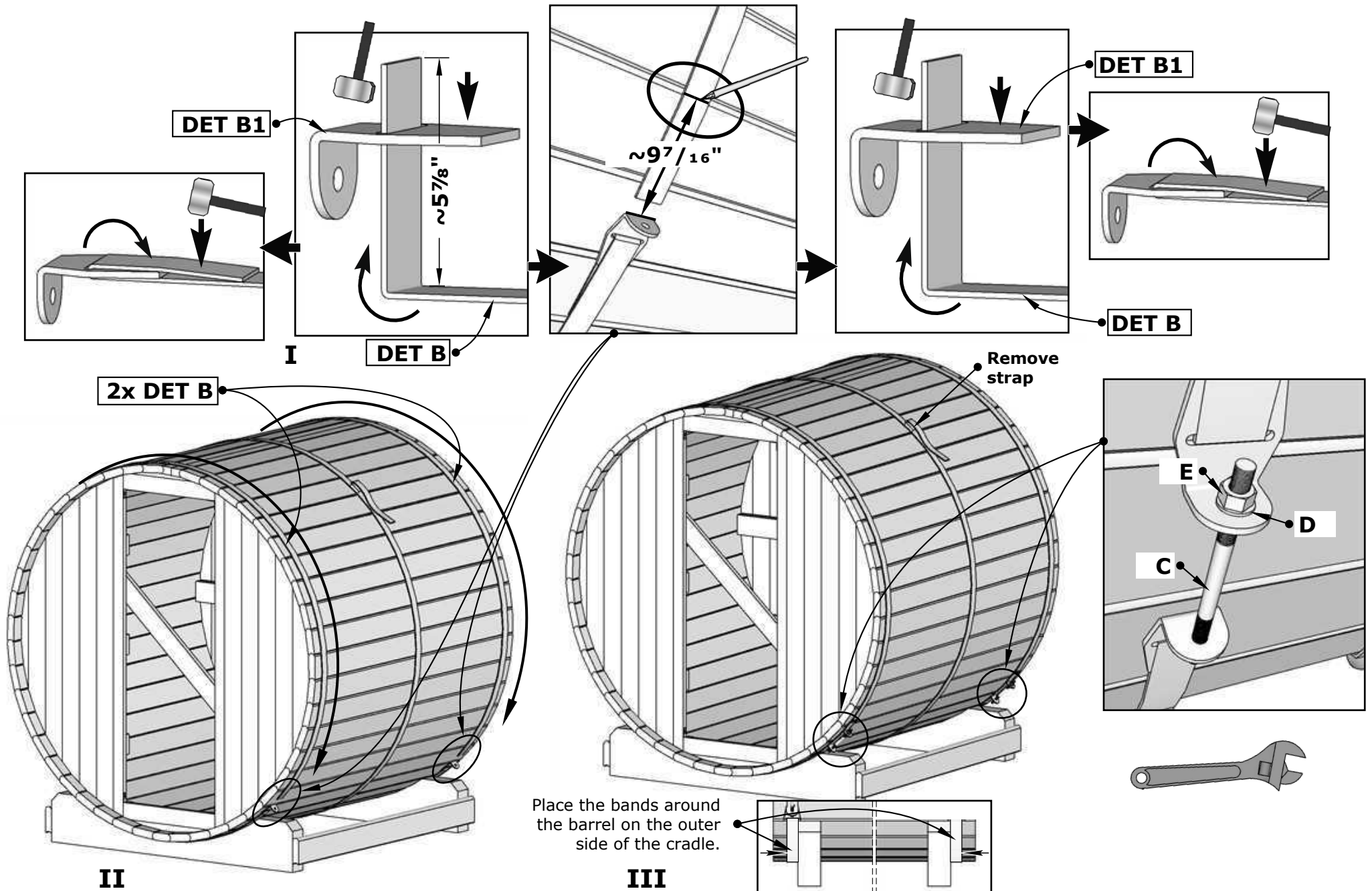
Raise slightly before installing the combined board

**II**



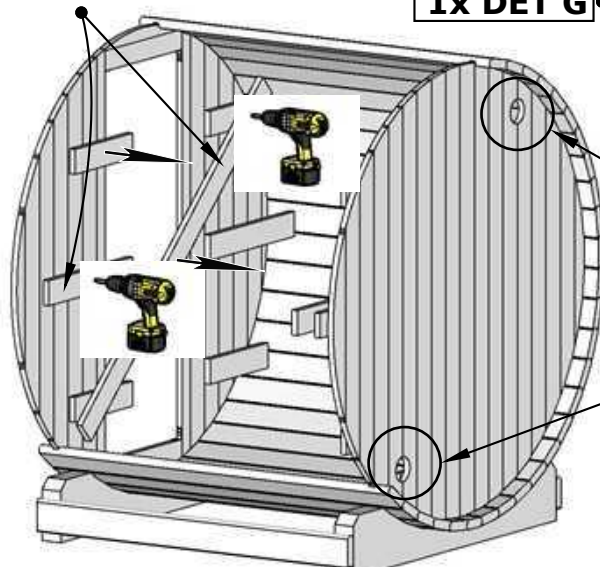
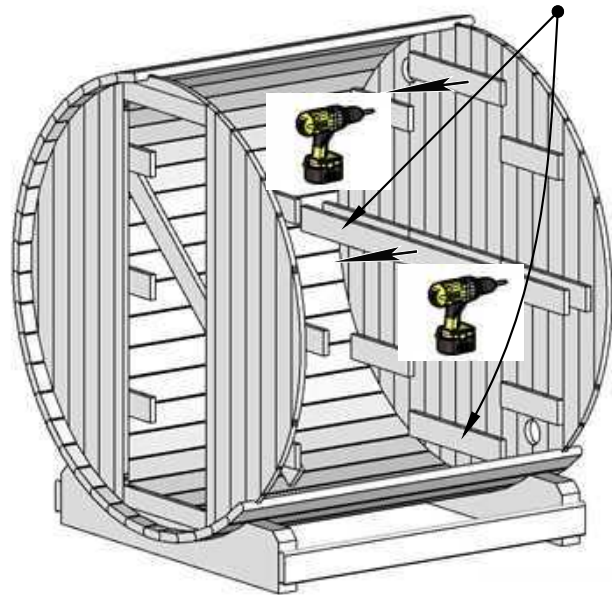
**III**

# E6 Barrel Sauna 59D" x 81H"

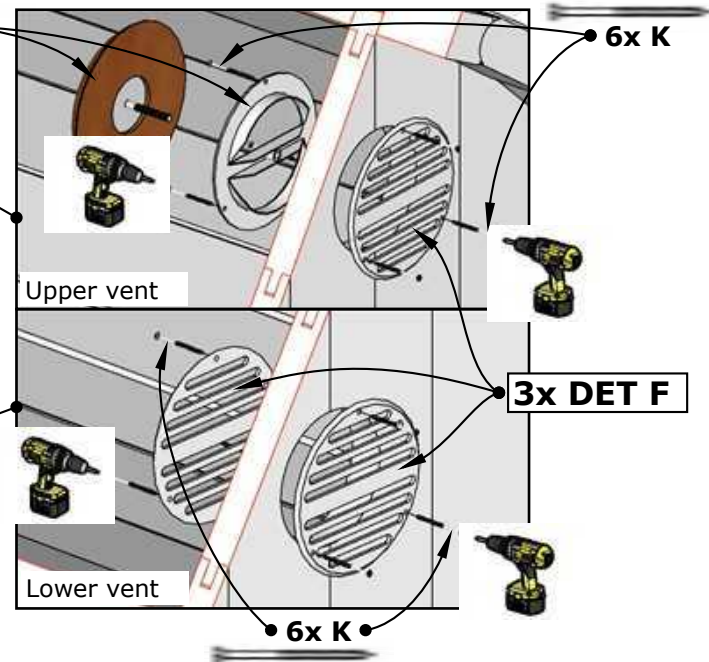


# E6 Barrel Sauna 59D" x 81H"

Remove all temporary braces



1x DET G

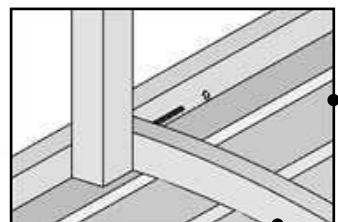


I

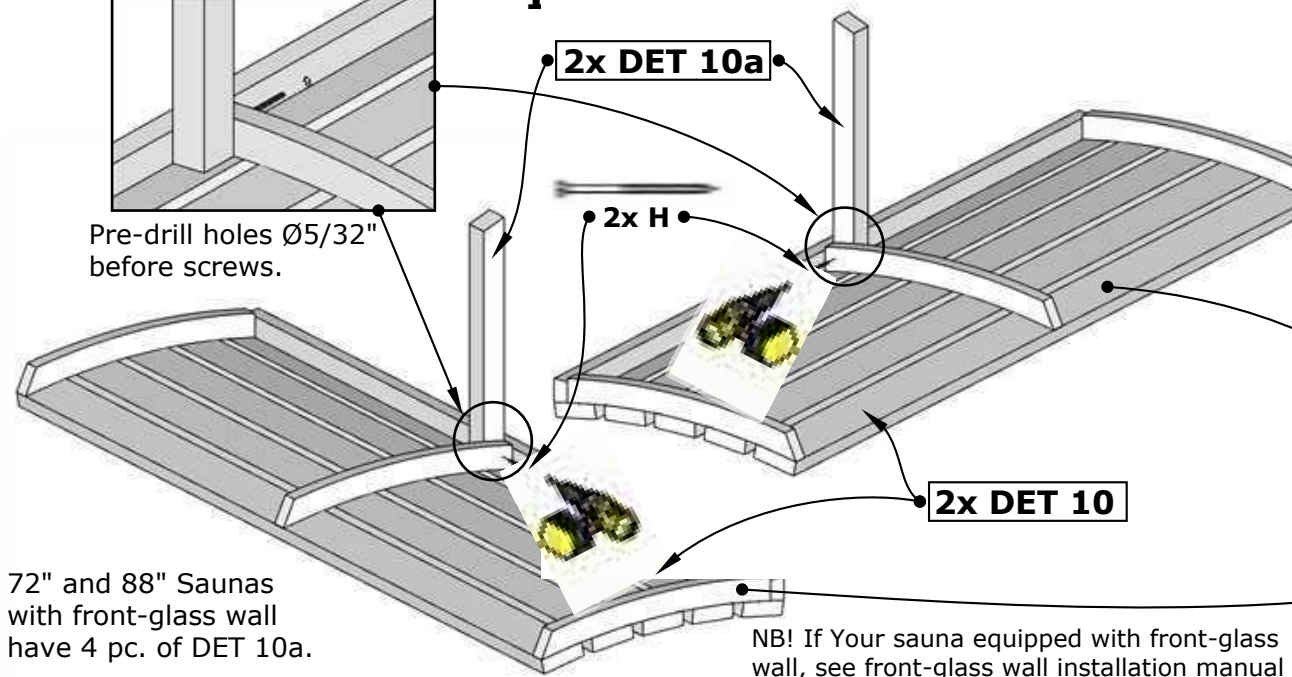
2x DET 10a

2x H

2x DET 10



Pre-drill holes Ø5/32" before screws.

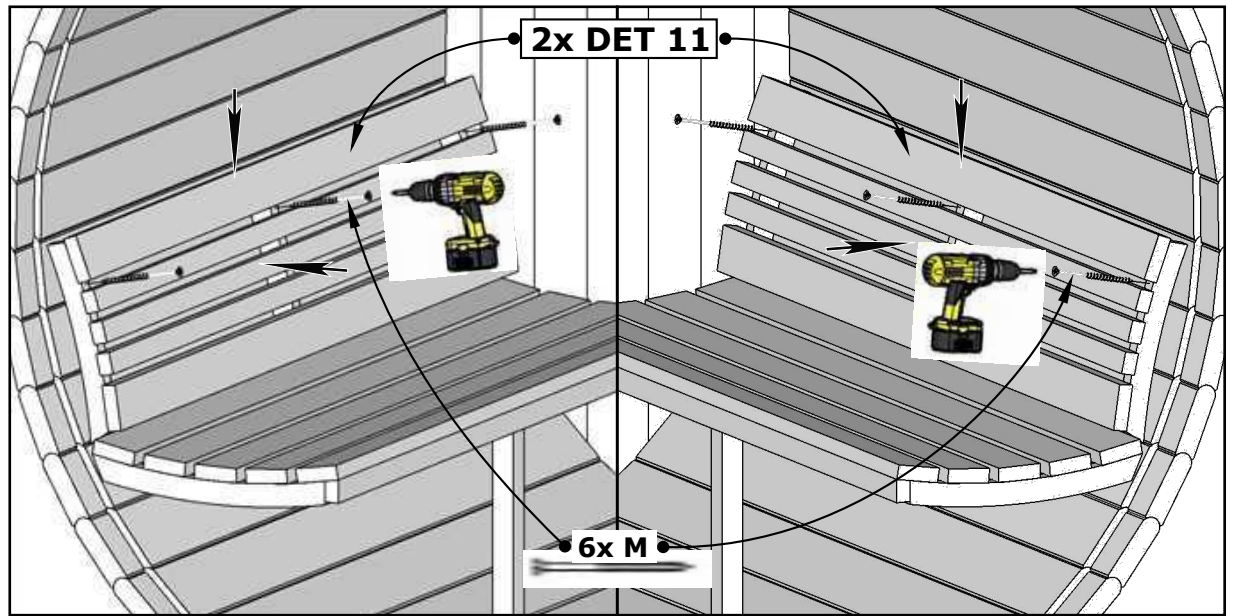
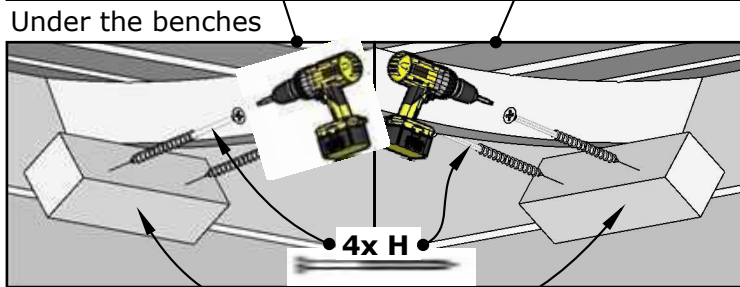
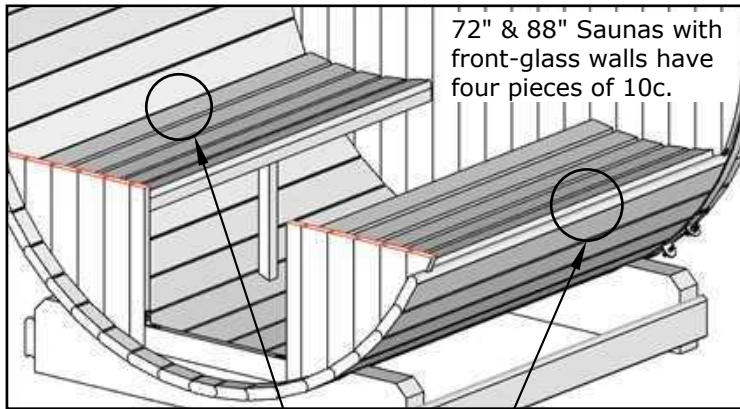
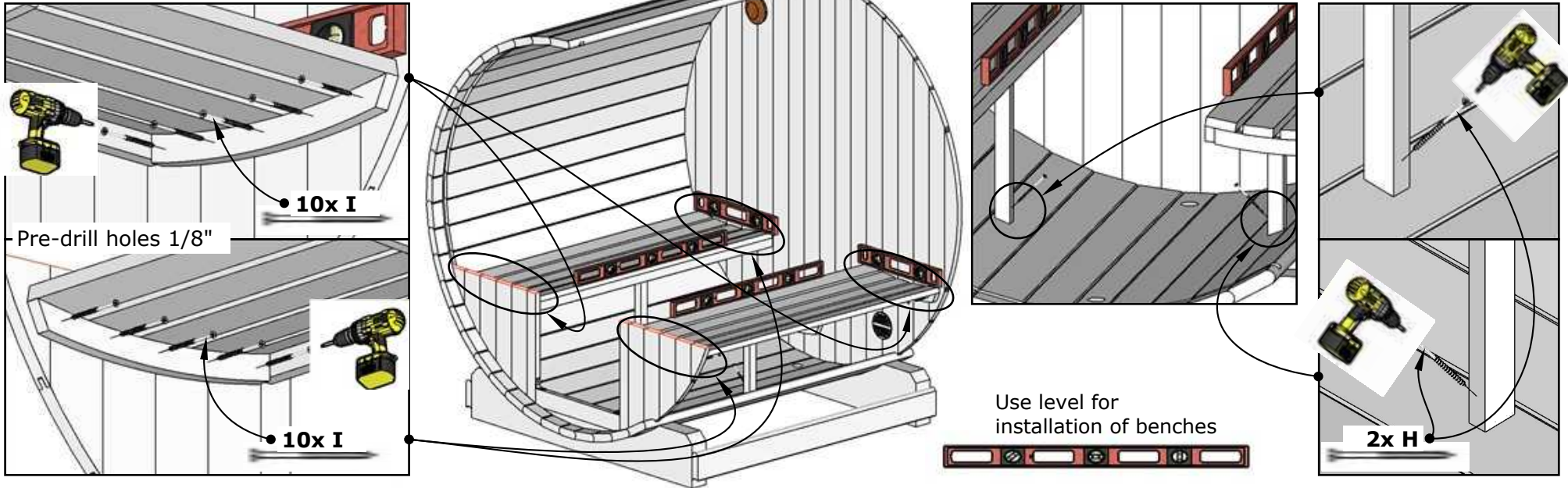


III

NB! If Your sauna equipped with front-glass wall, see front-glass wall installation manual for proper benches installation.

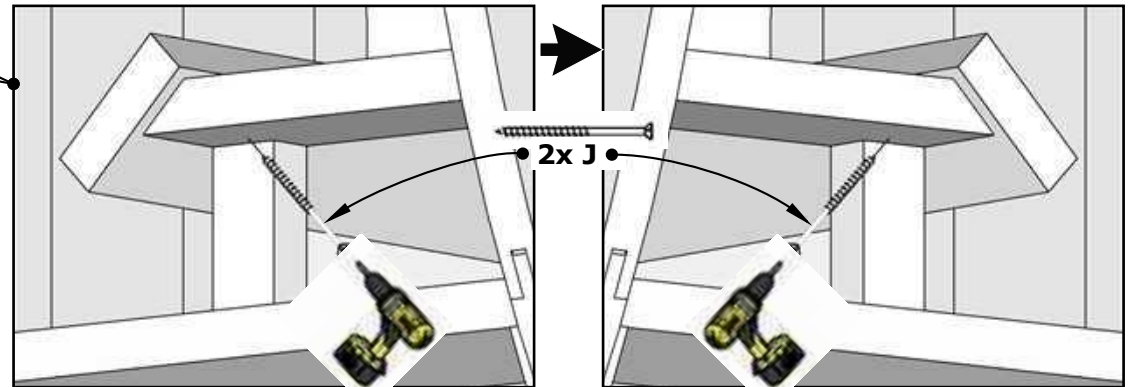
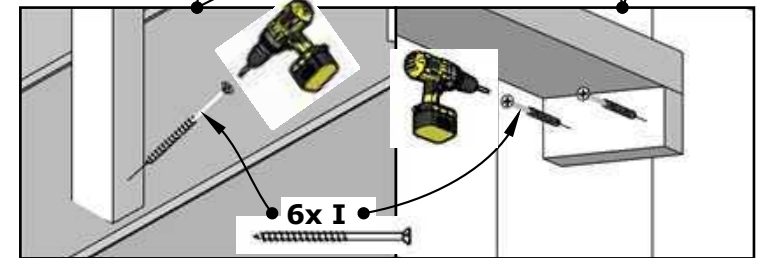
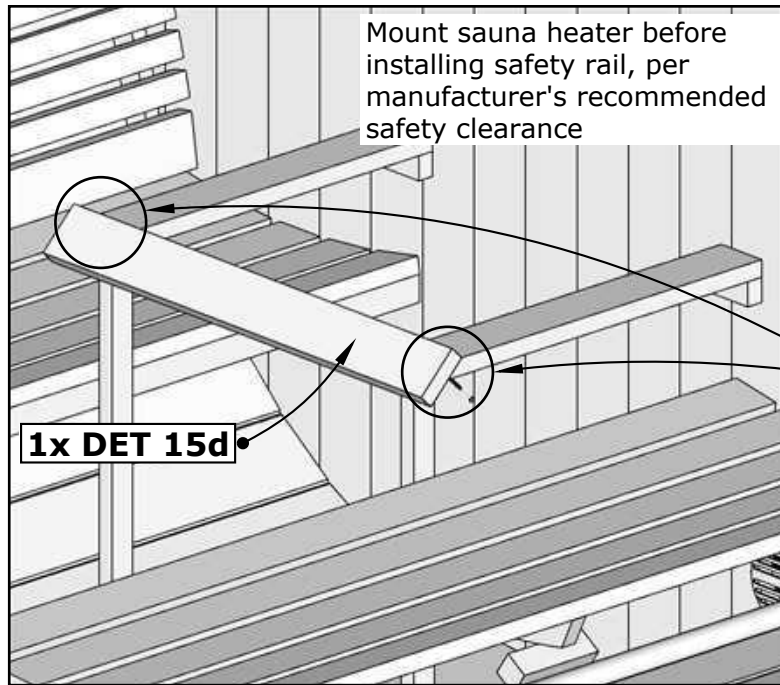
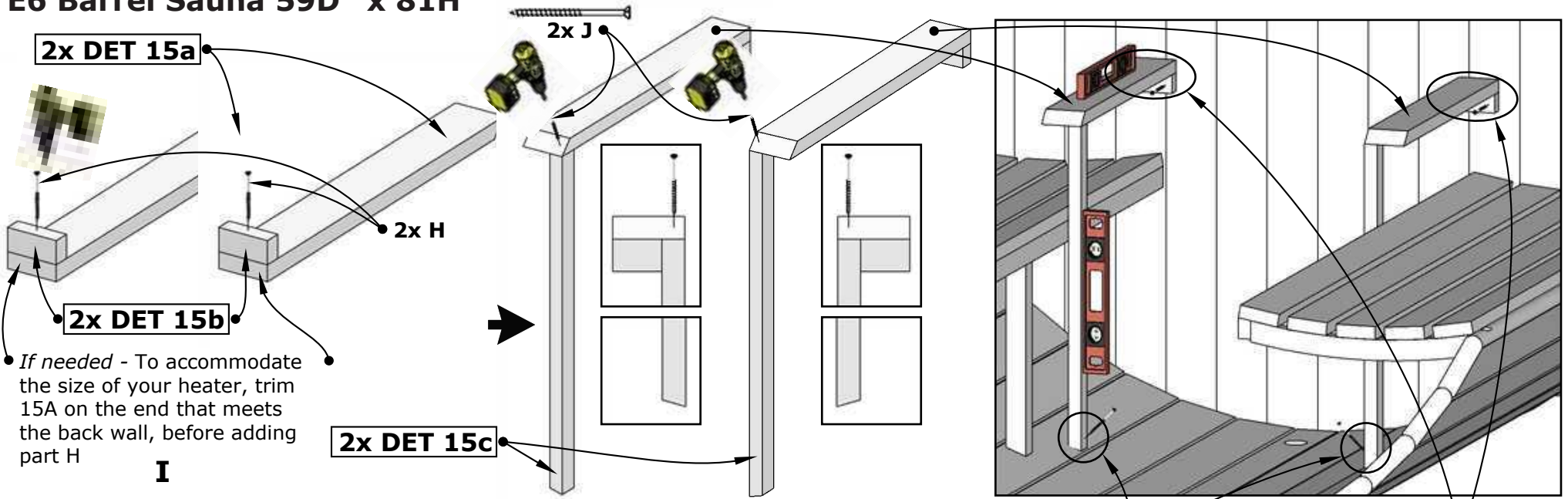
72" and 88" Saunas with front-glass wall have 4 pc. of DET 10a.

# E6 Barrel Sauna 59D" x 81H"



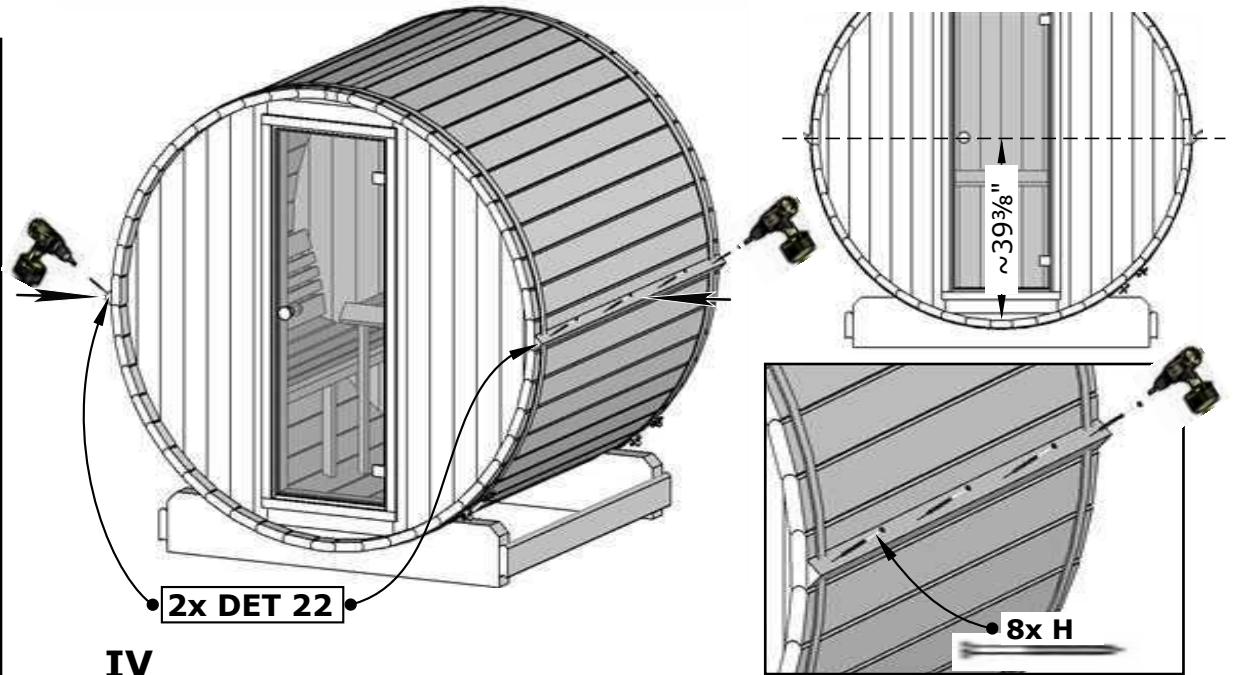
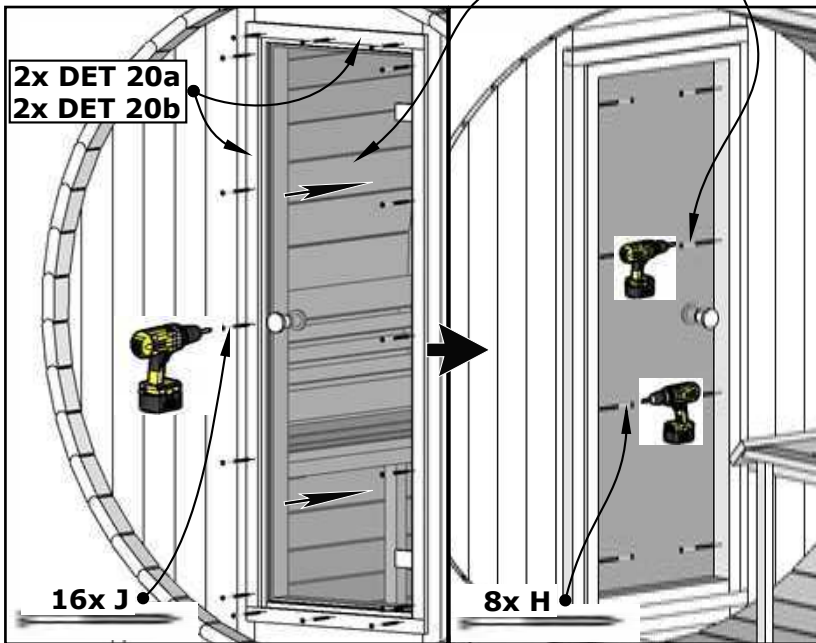
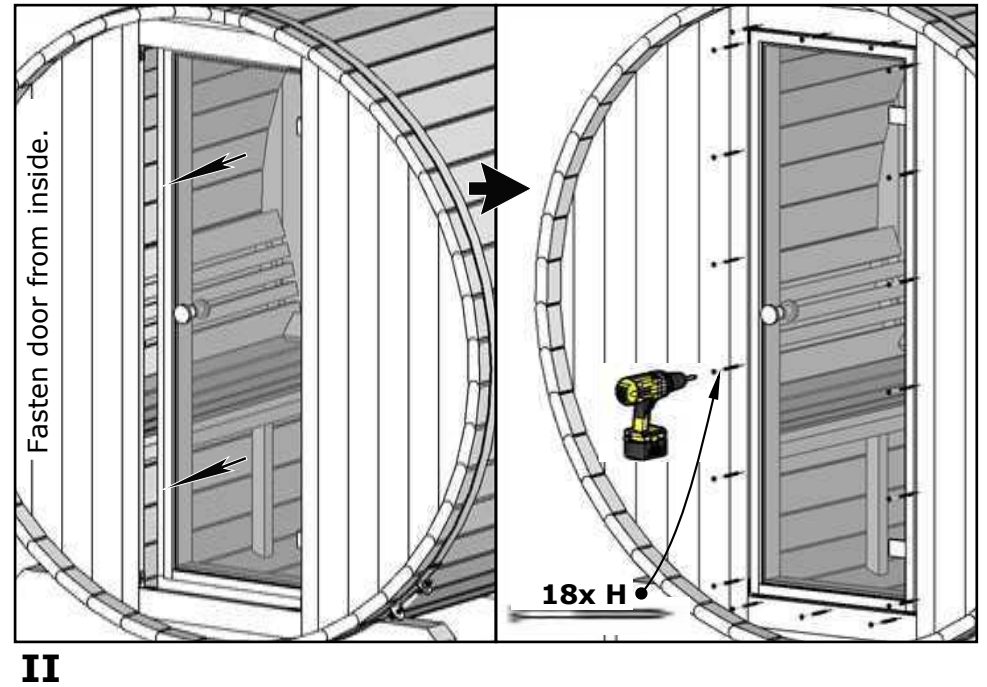
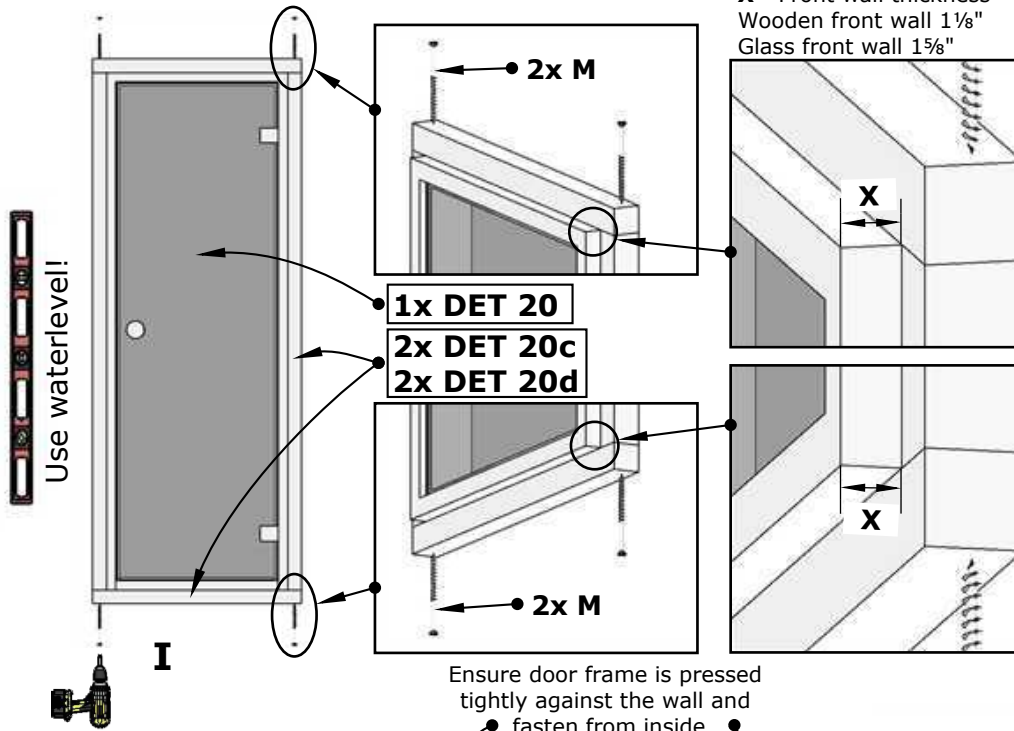
**III**

# E6 Barrel Sauna 59D" x 81H"



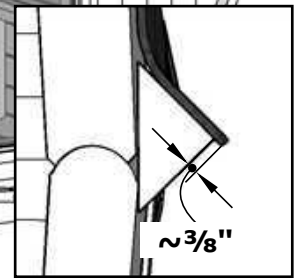
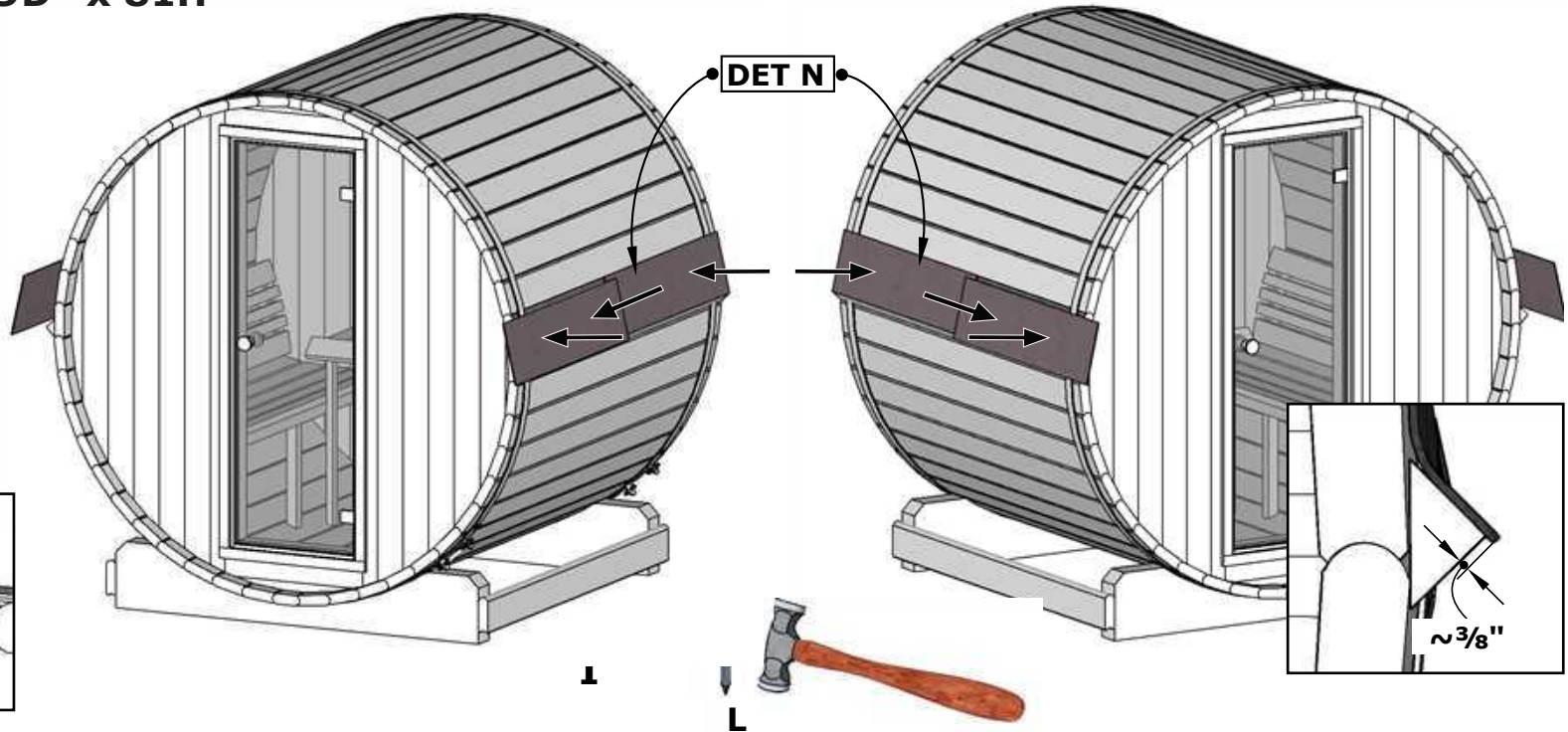
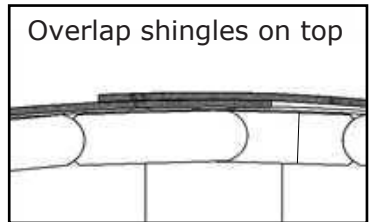


# E6 Barrel Sauna 59D" x 81H"

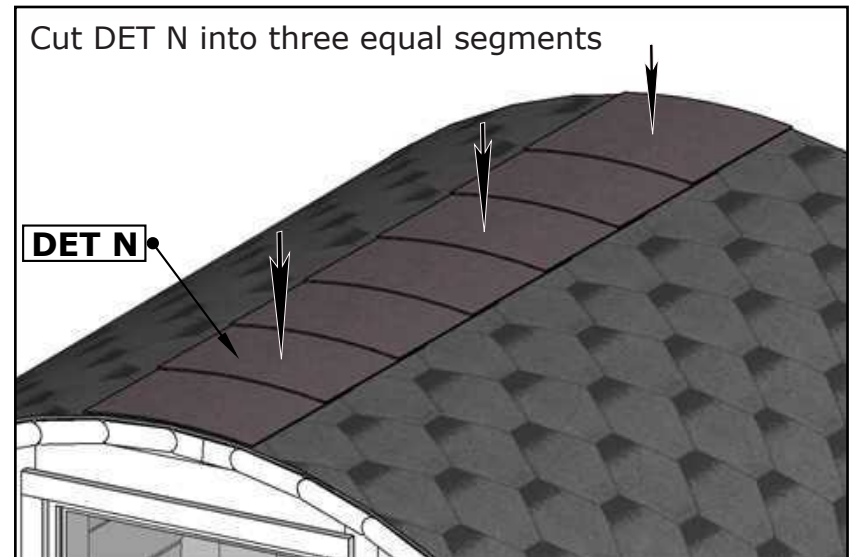
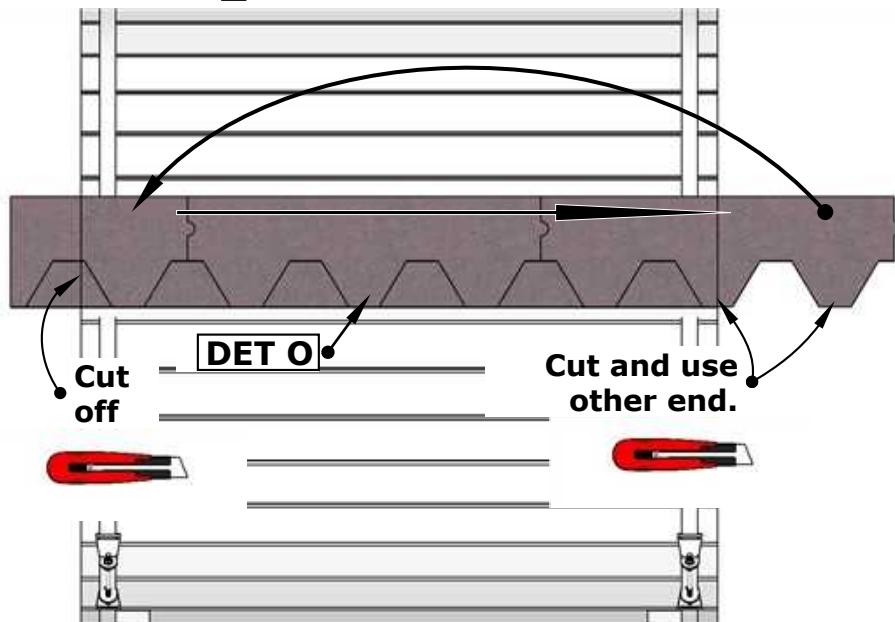


# E6 Barrel Sauna 59D" x 81H"

See the installation manual inside the shingles package



Check also roof shingles installation manual inside package.



# E6 Barrel Sauna 59D" x 81H"

