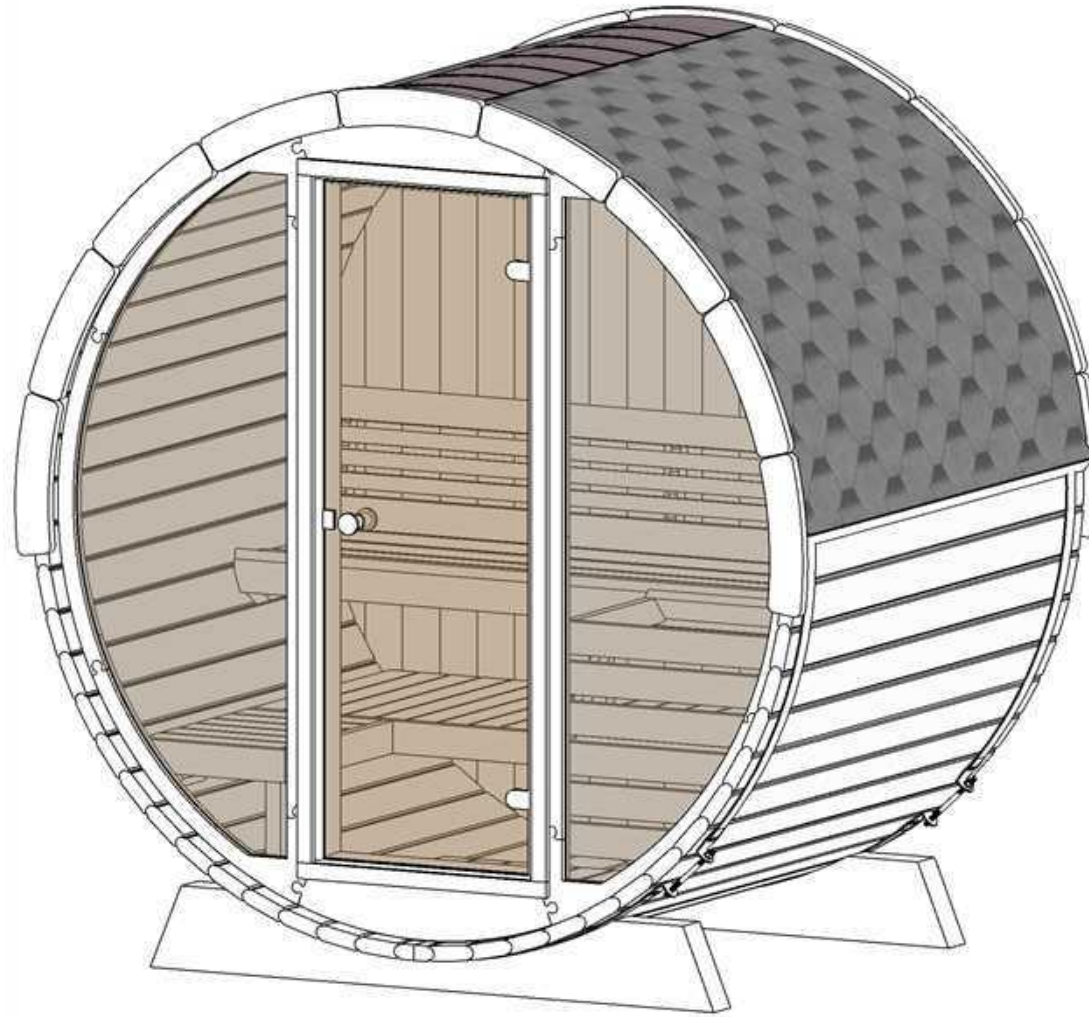




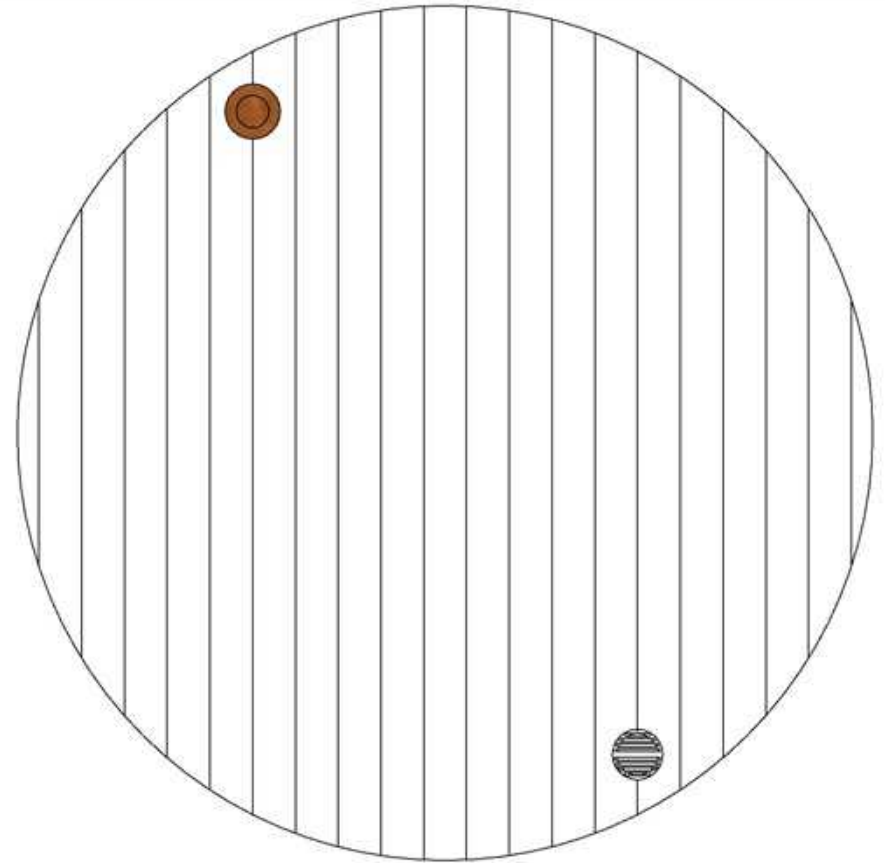
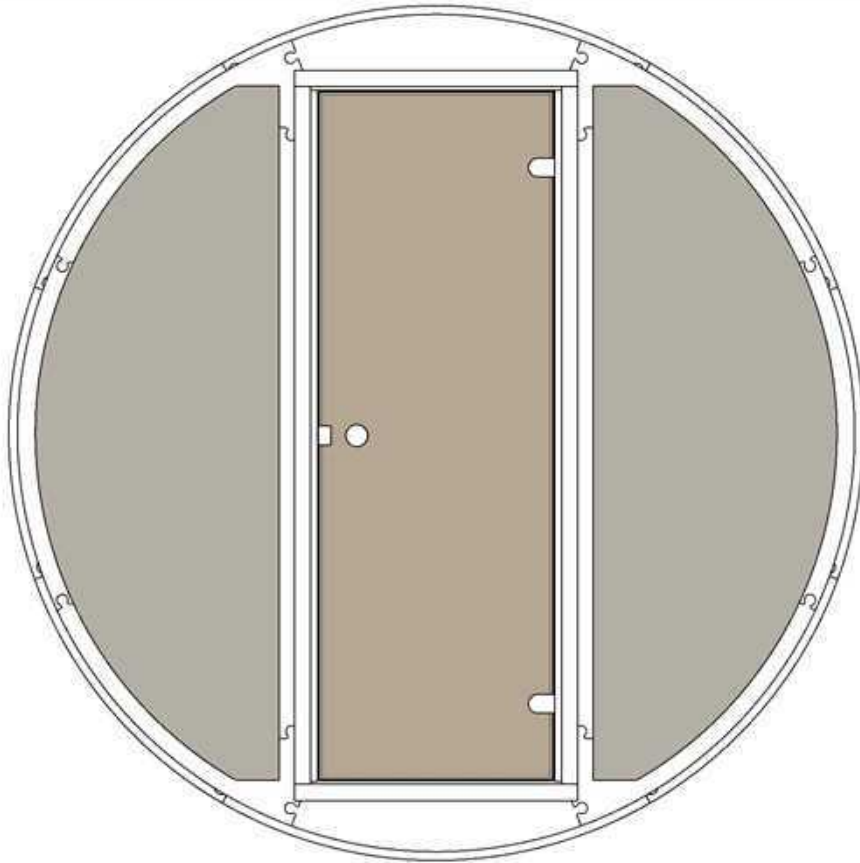
Ergo-Series EE6G Barrel Sauna
Full Glass Front 63D" x 90H"



Note: Please read manual before construction

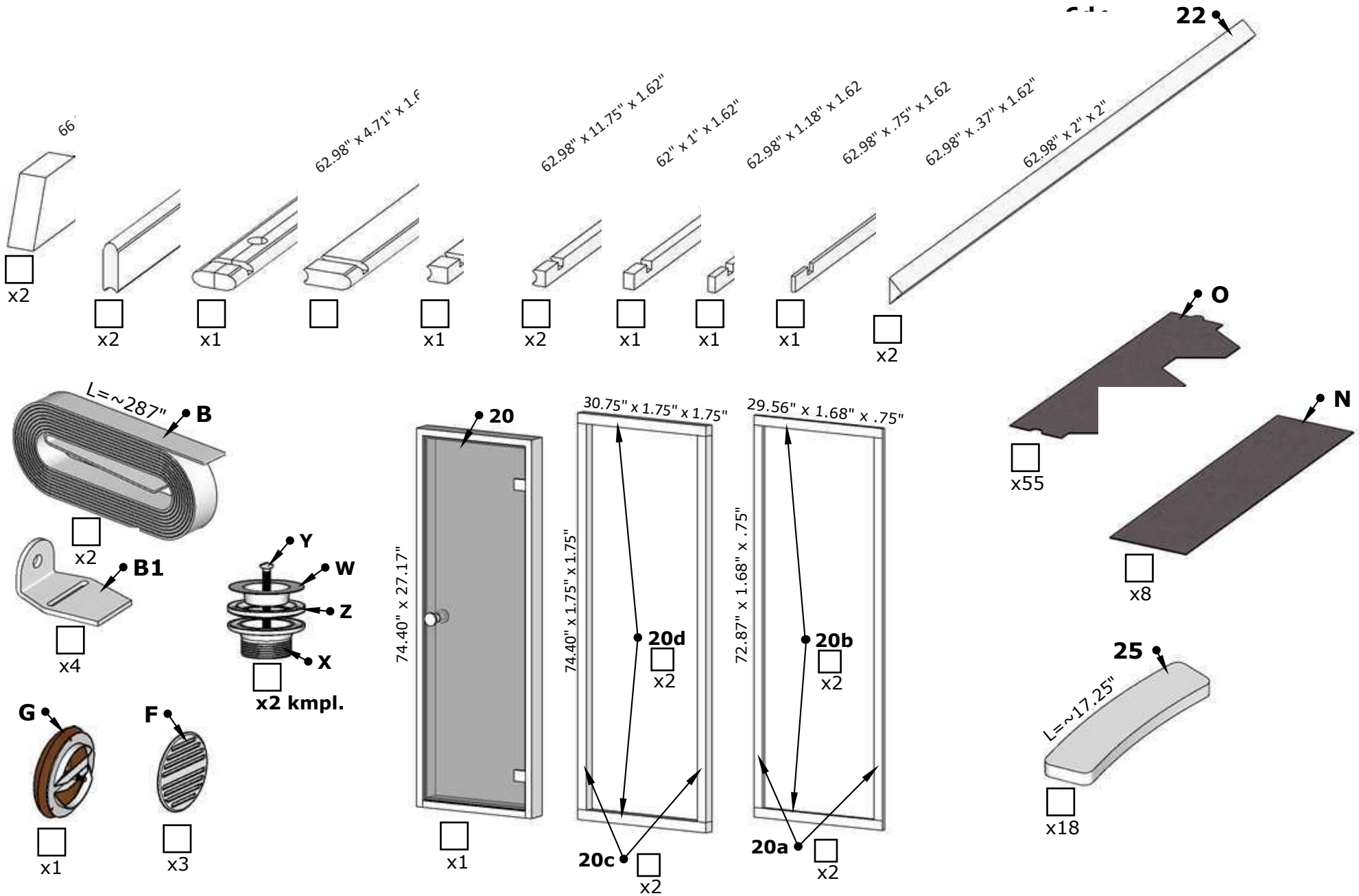
Rev: 1.0_9/2023

Front & Back Walls



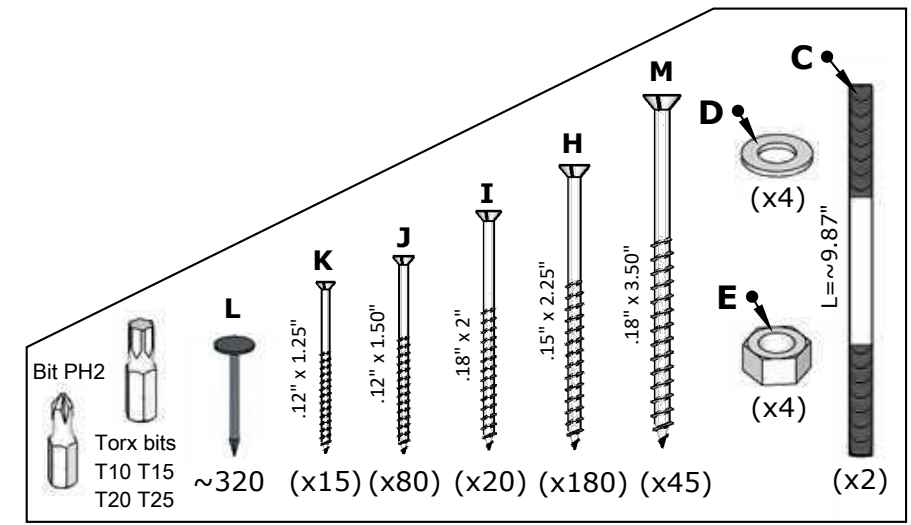
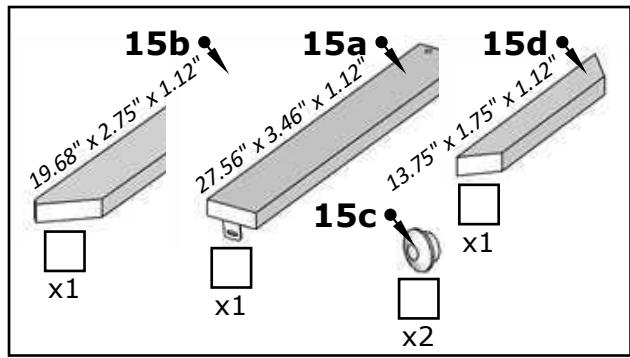
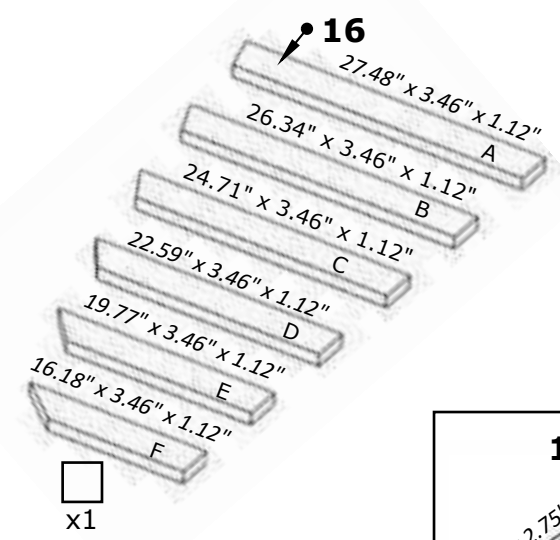
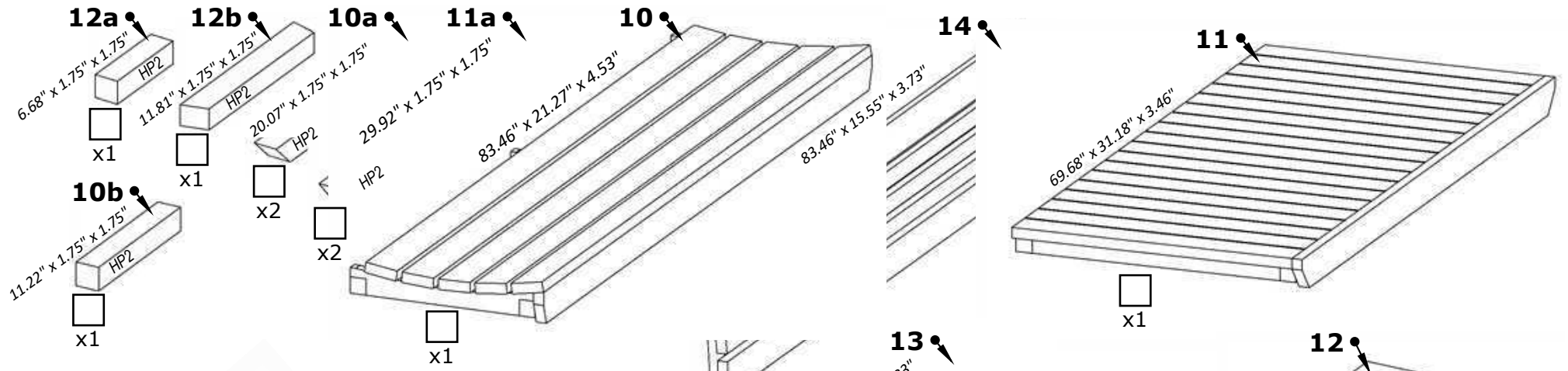
EE6G Barrel Sauna 63D" x 90H"

Details list 1.



EE6G Barrel Sauna 63D" x 90H"

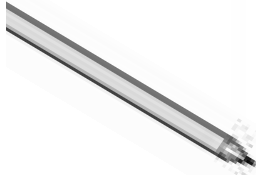
Details list 2.



Tools needed



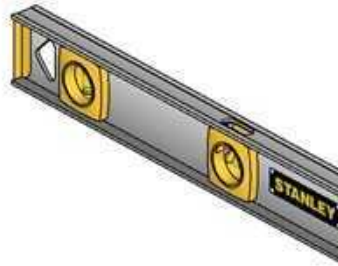
Measuring tape



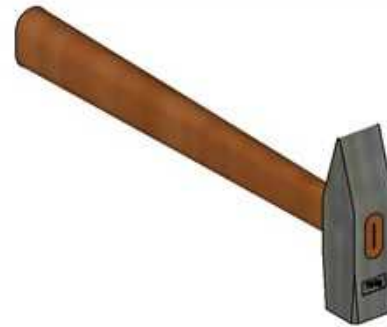
Marker pen



Circular saw



Water level



Hammer



Extra hands



Ratchet strap



Silicone gun
(Only glass-wall models)



Drill



Crescent wrench

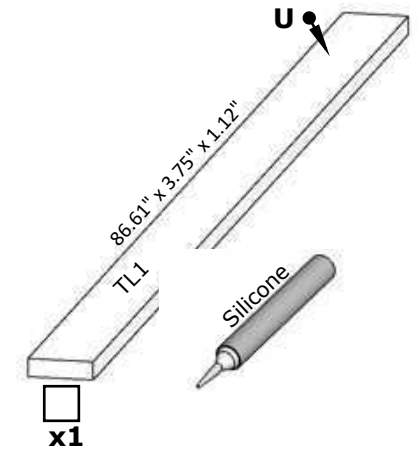
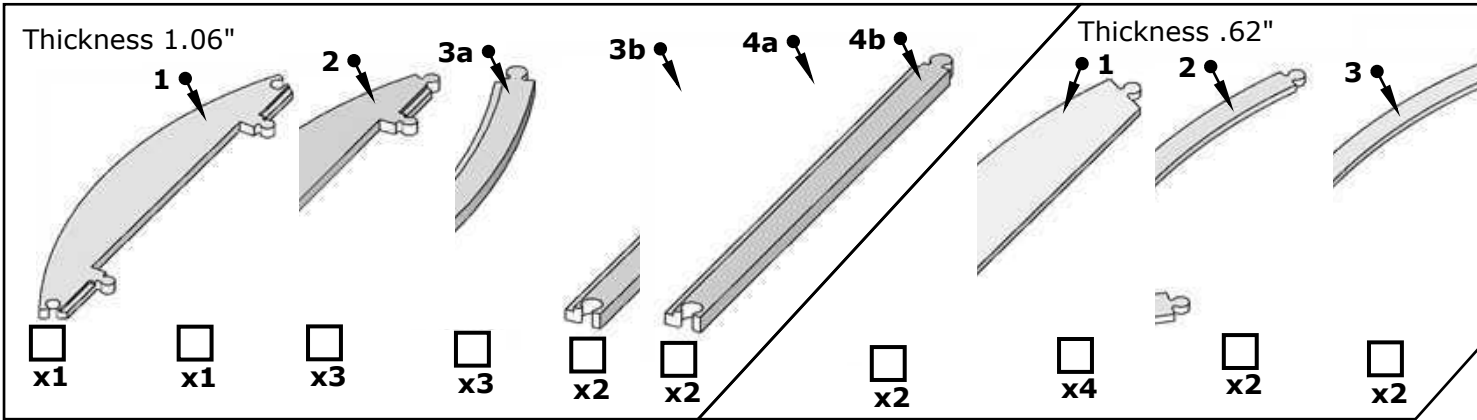


Utility knife

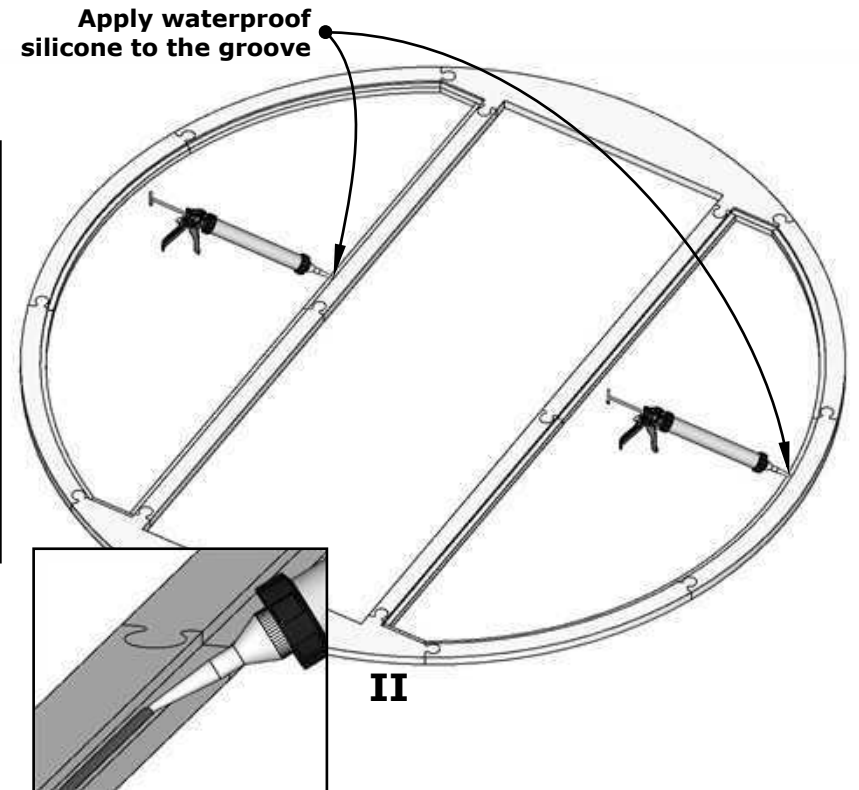
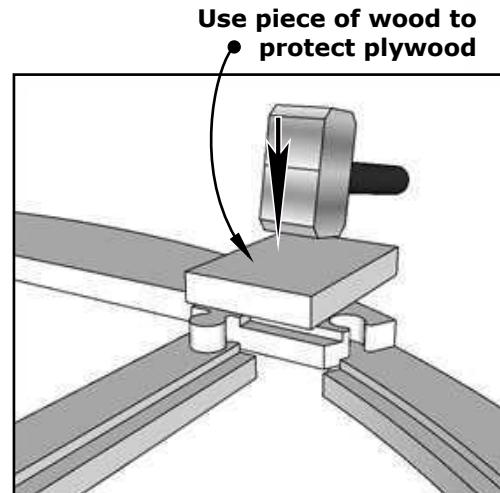
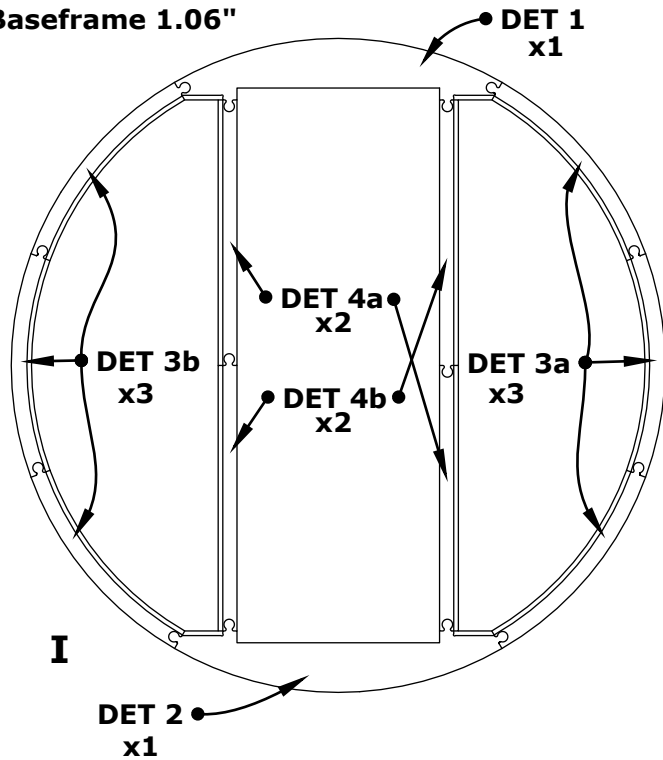


Rubber mallet

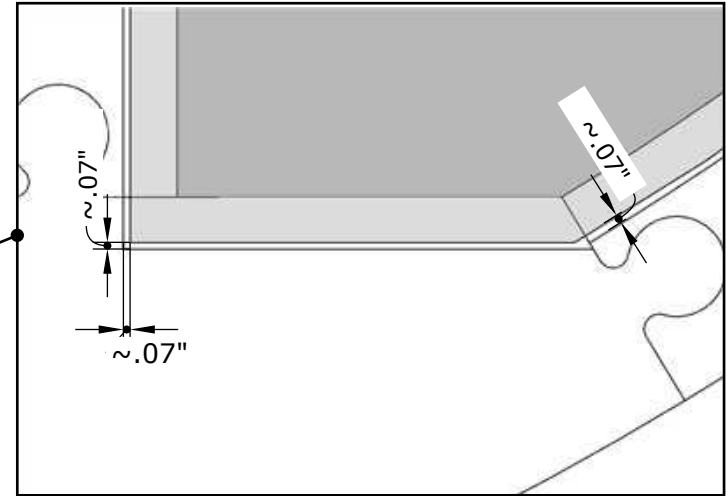
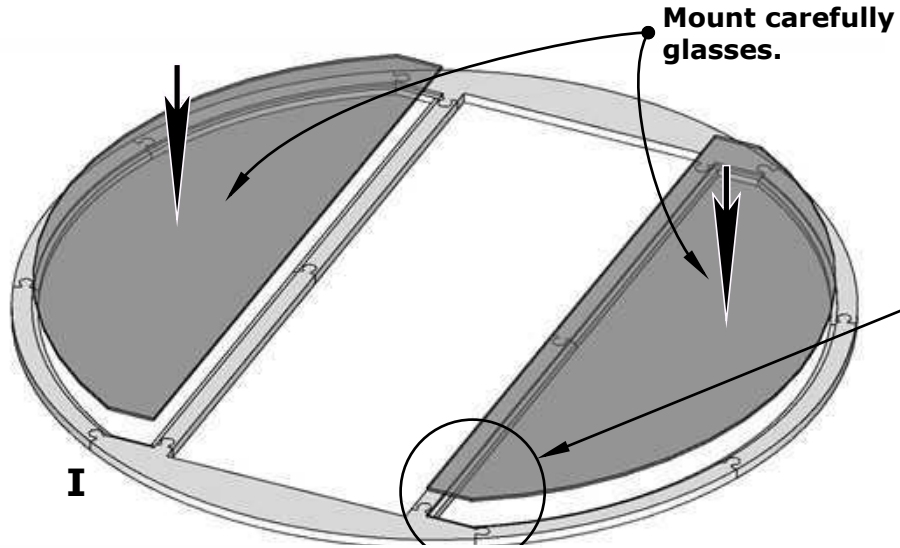
Front glass wall installation



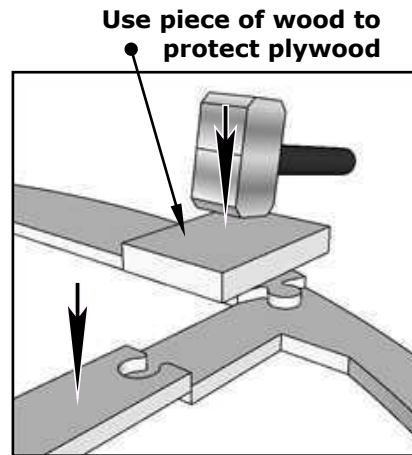
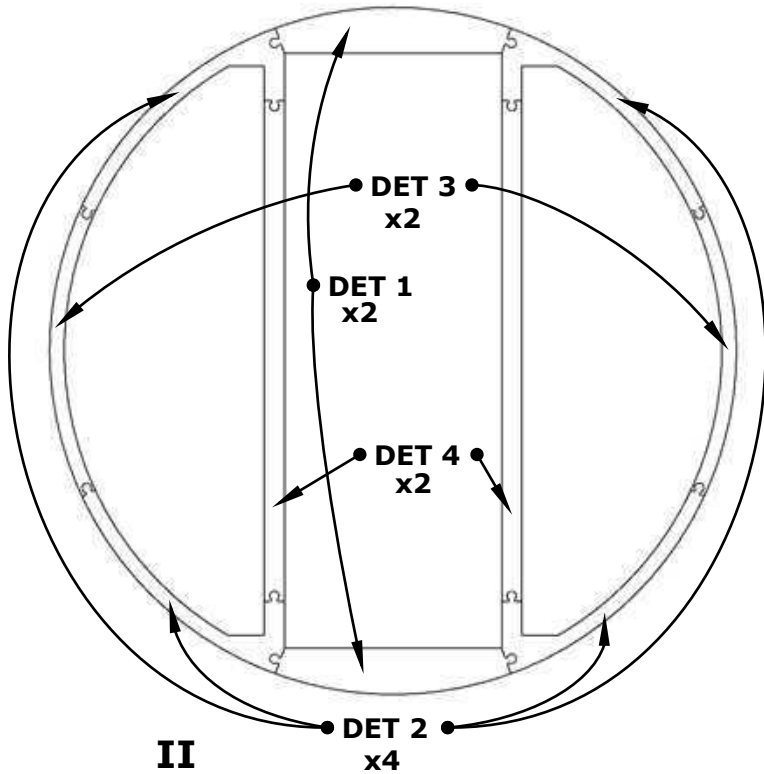
Baseframe 1.06"



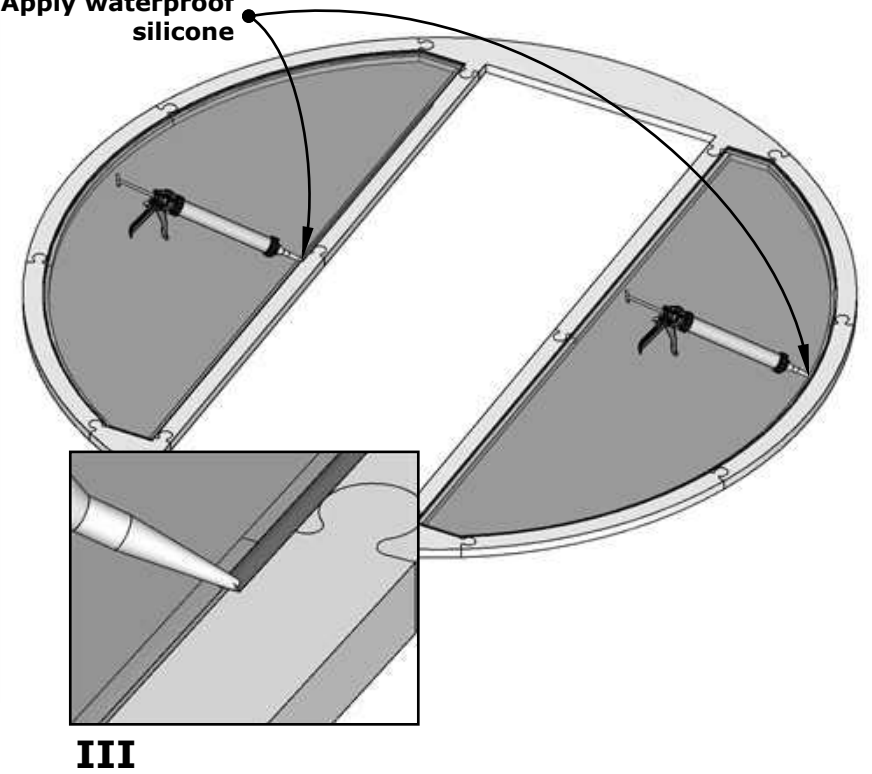
Front glass wall installation



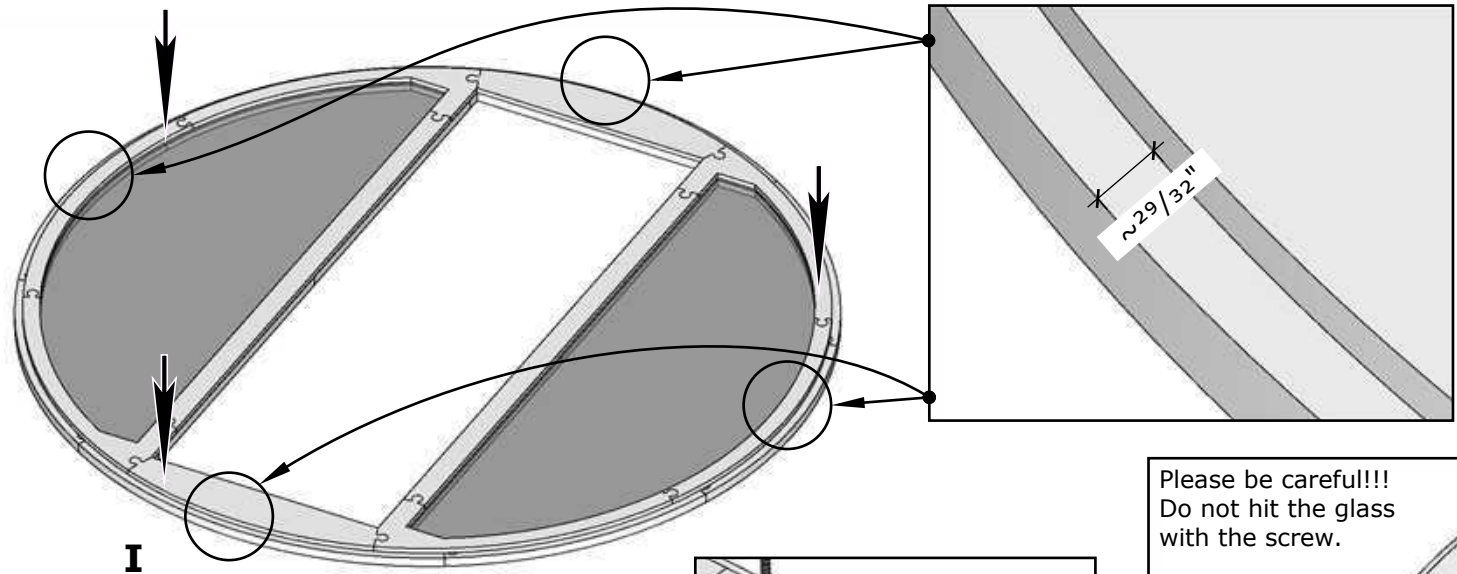
Coverframe .62"



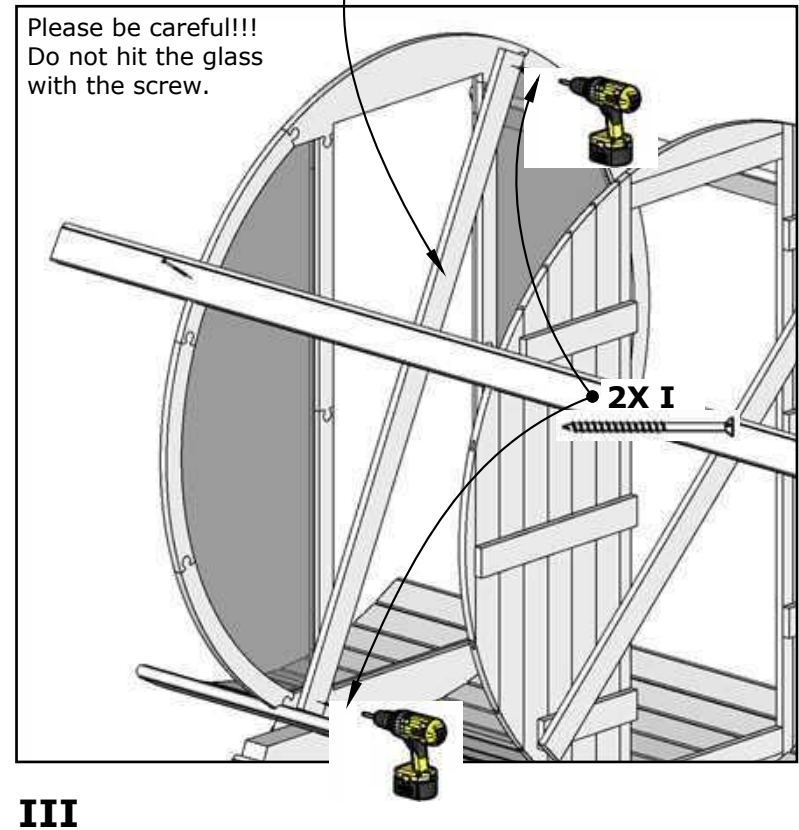
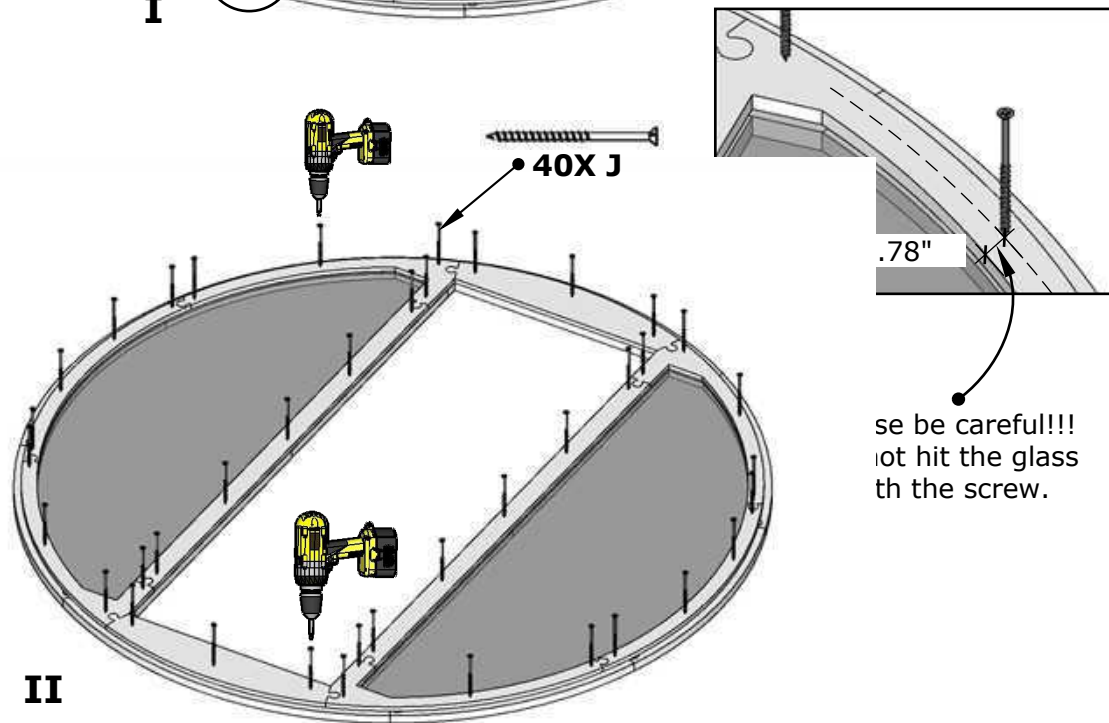
Apply waterproof silicone



Front glass wall installation

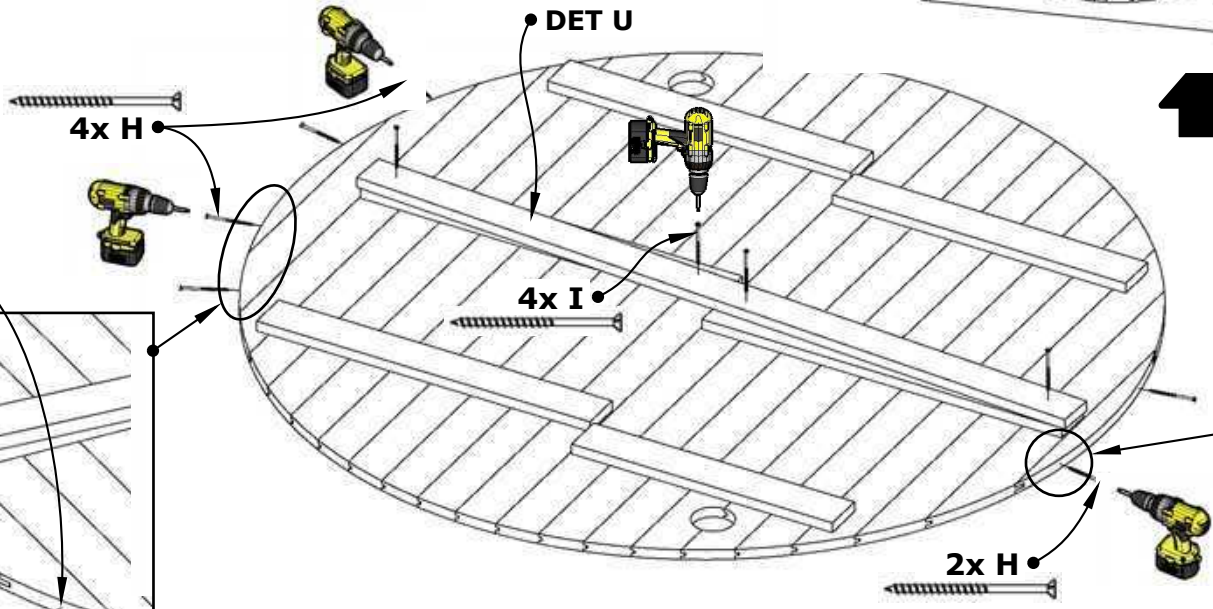
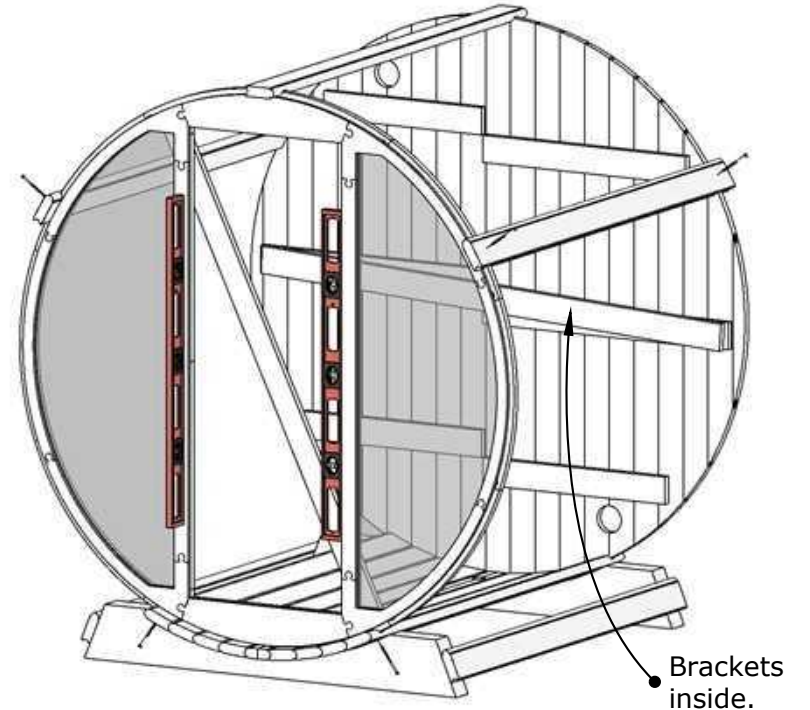
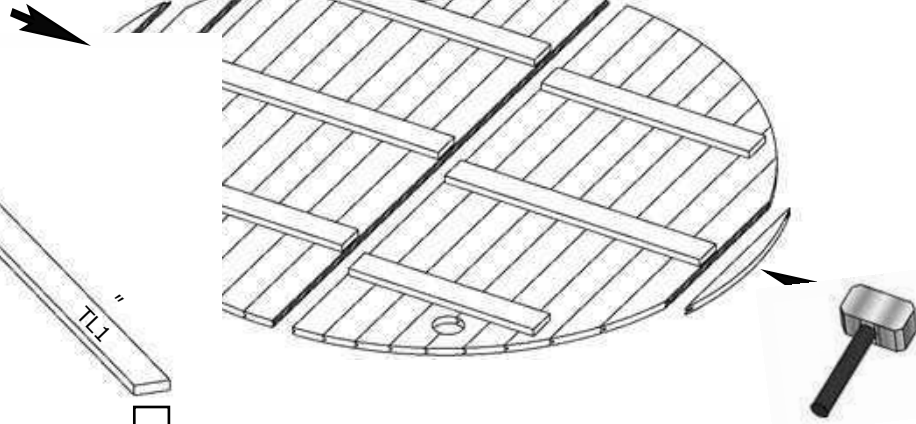
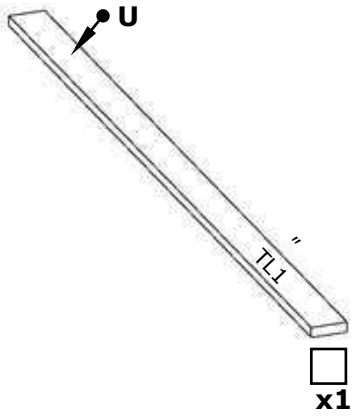


DET U
• Fix it diagonally to make wall more rigid during the installation.



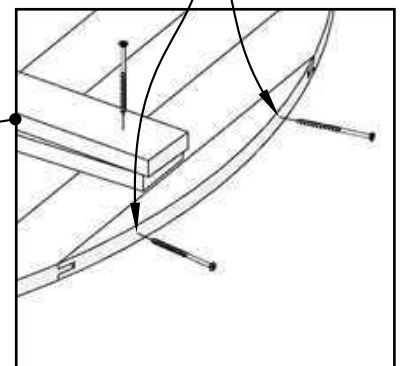
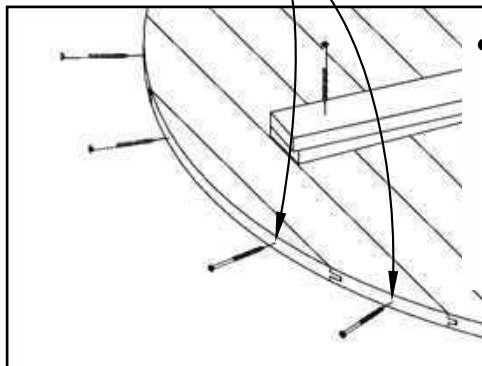
Wooden back wall assembly

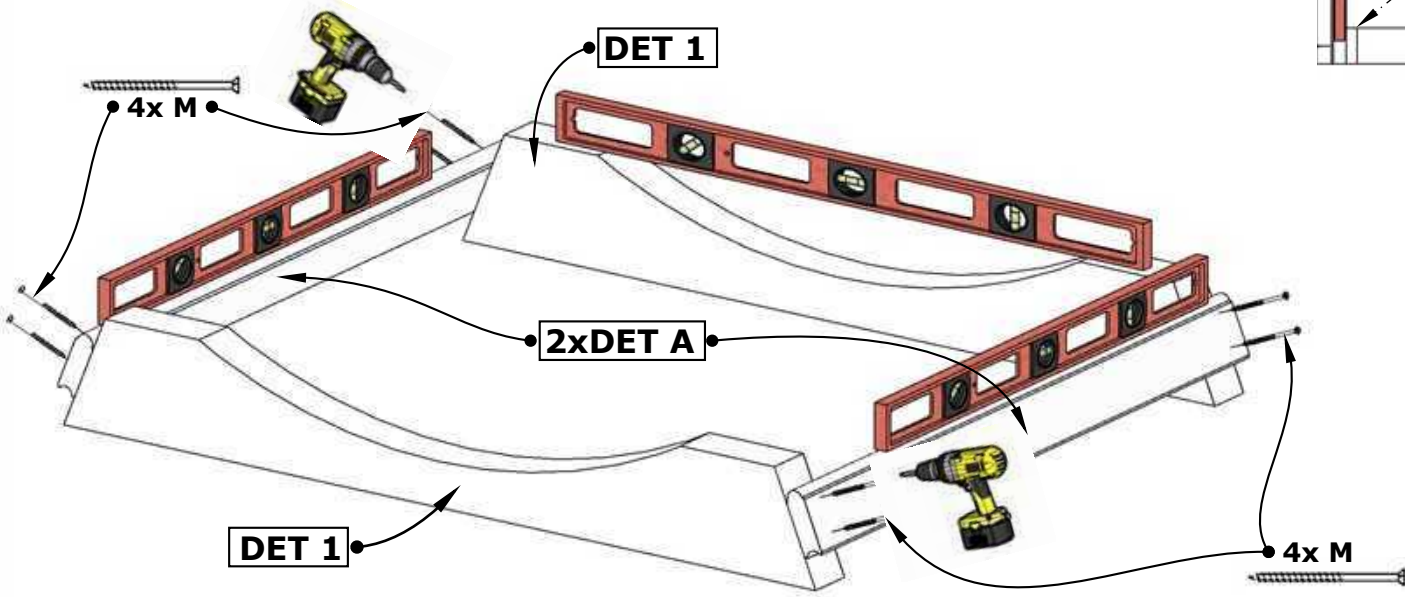
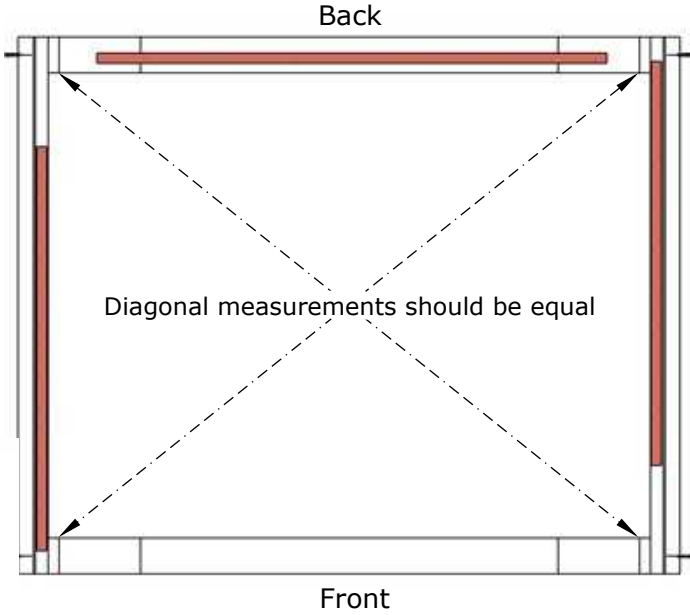
Details



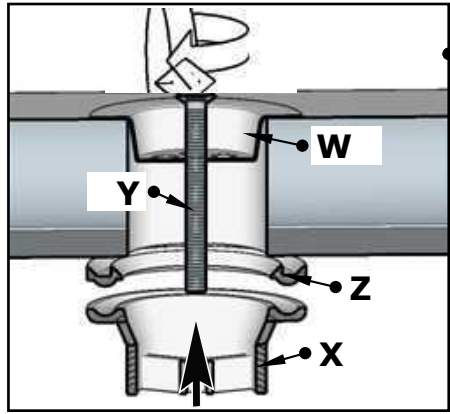
Pre-drill holes .15" before screws.

Pre-drill holes .15" before screws.

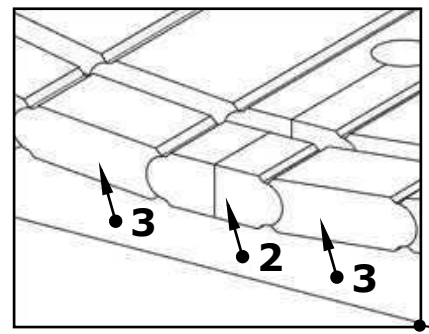
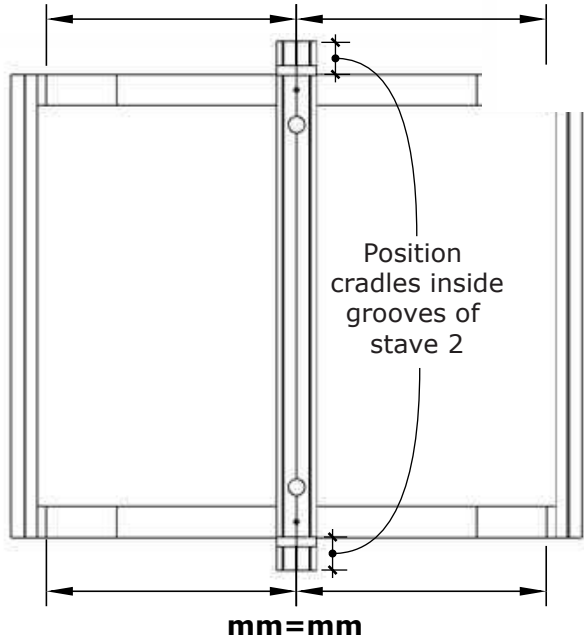
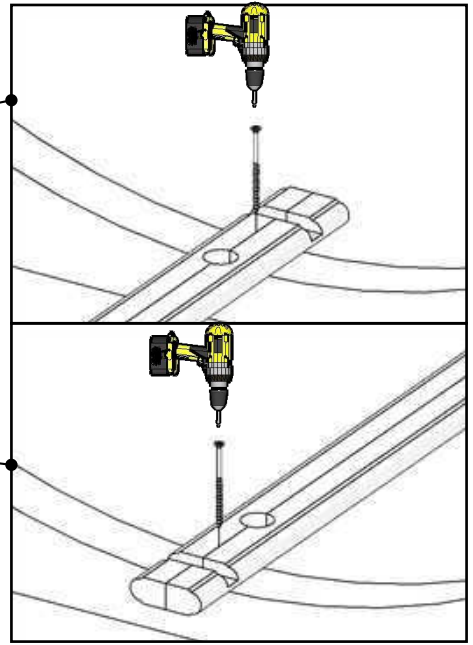
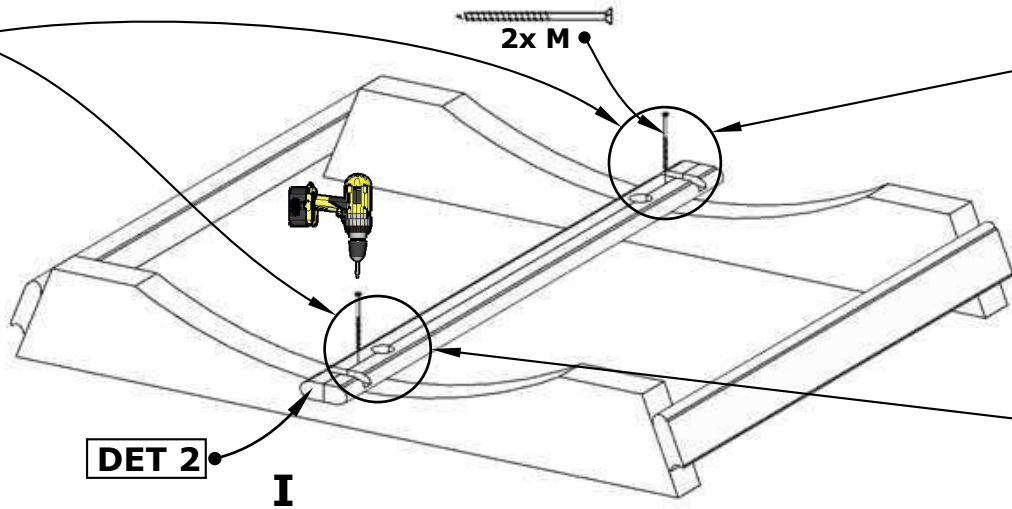




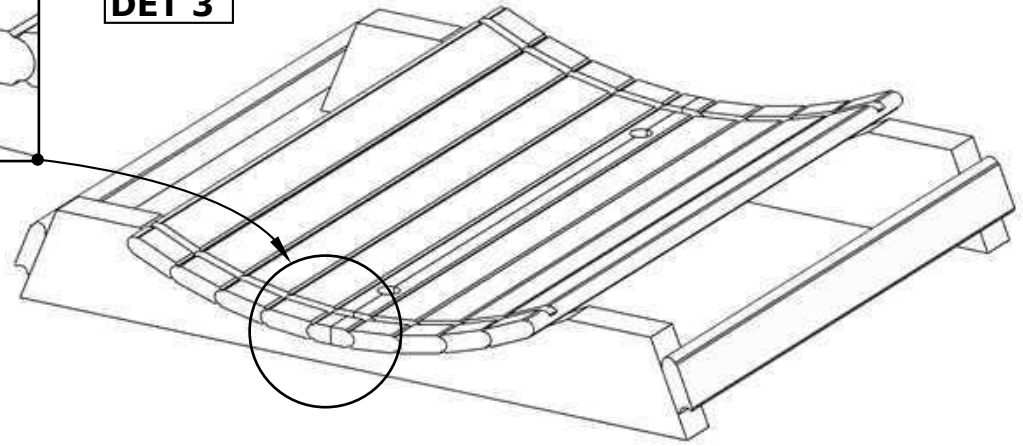
EE6G Barrel Sauna 63D" x 90H"



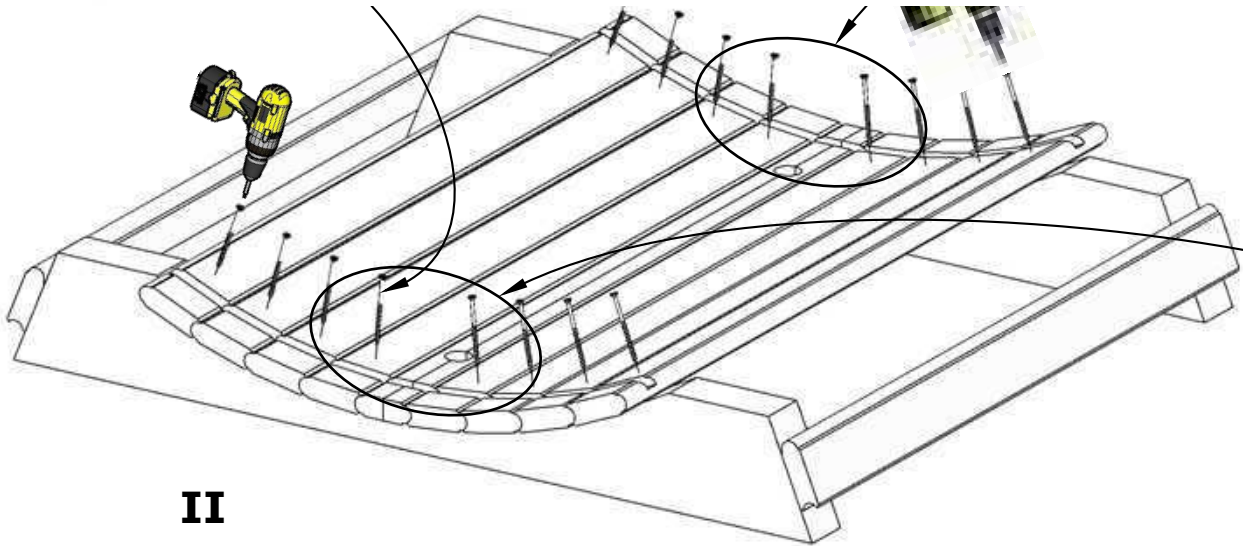
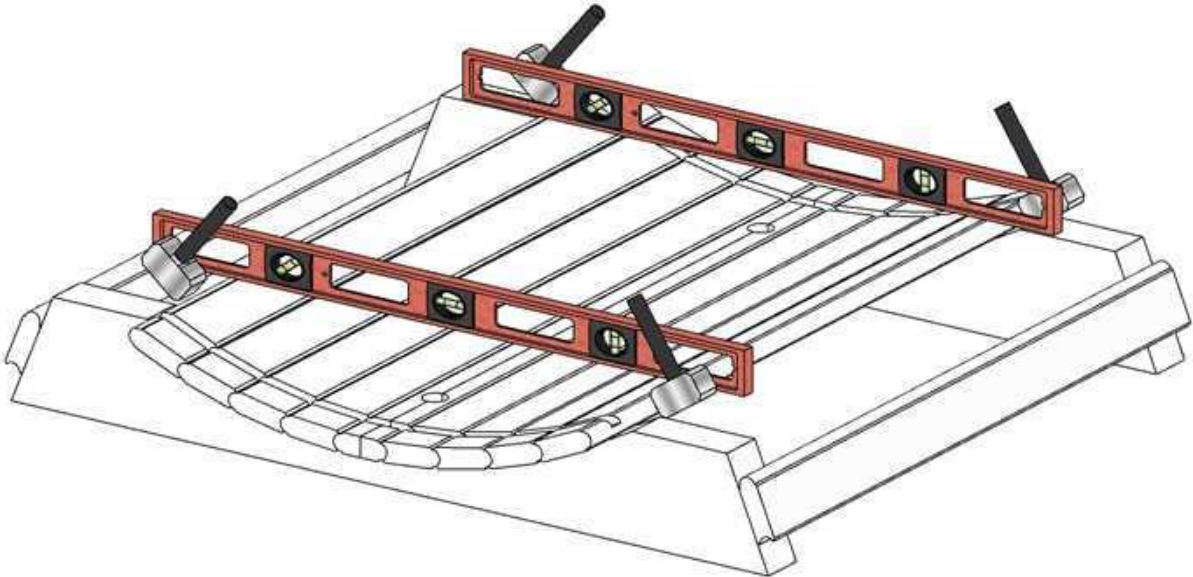
Center stave 2 on cradle 1



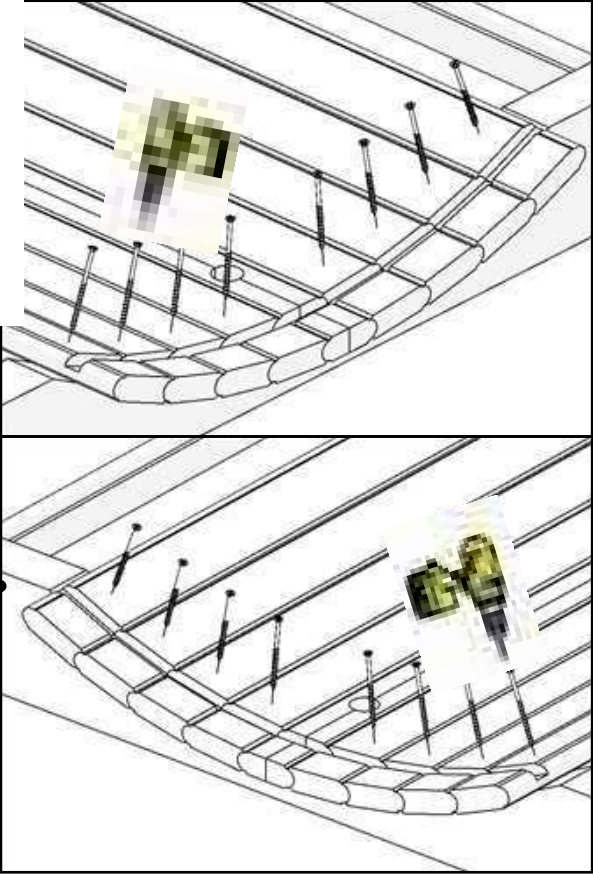
DET 3



II

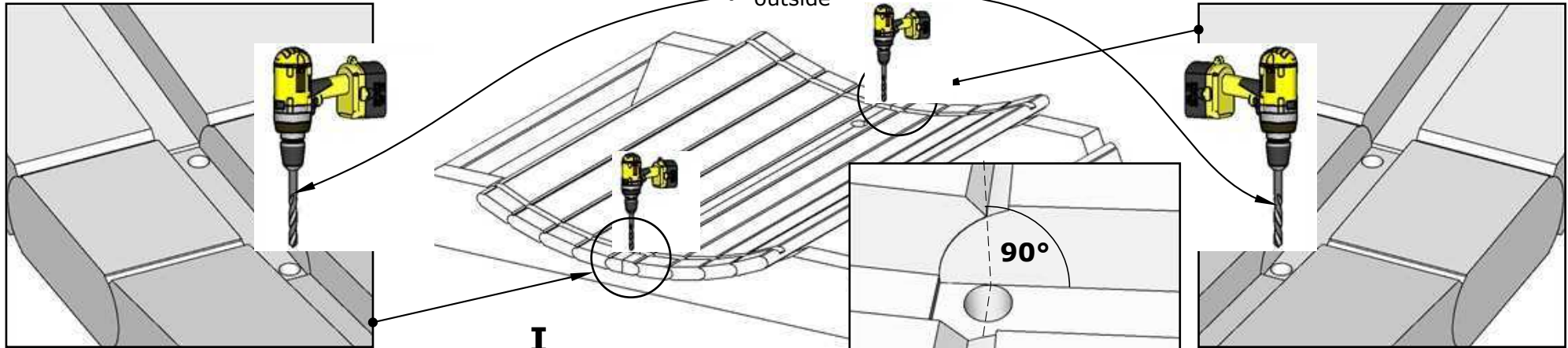


II

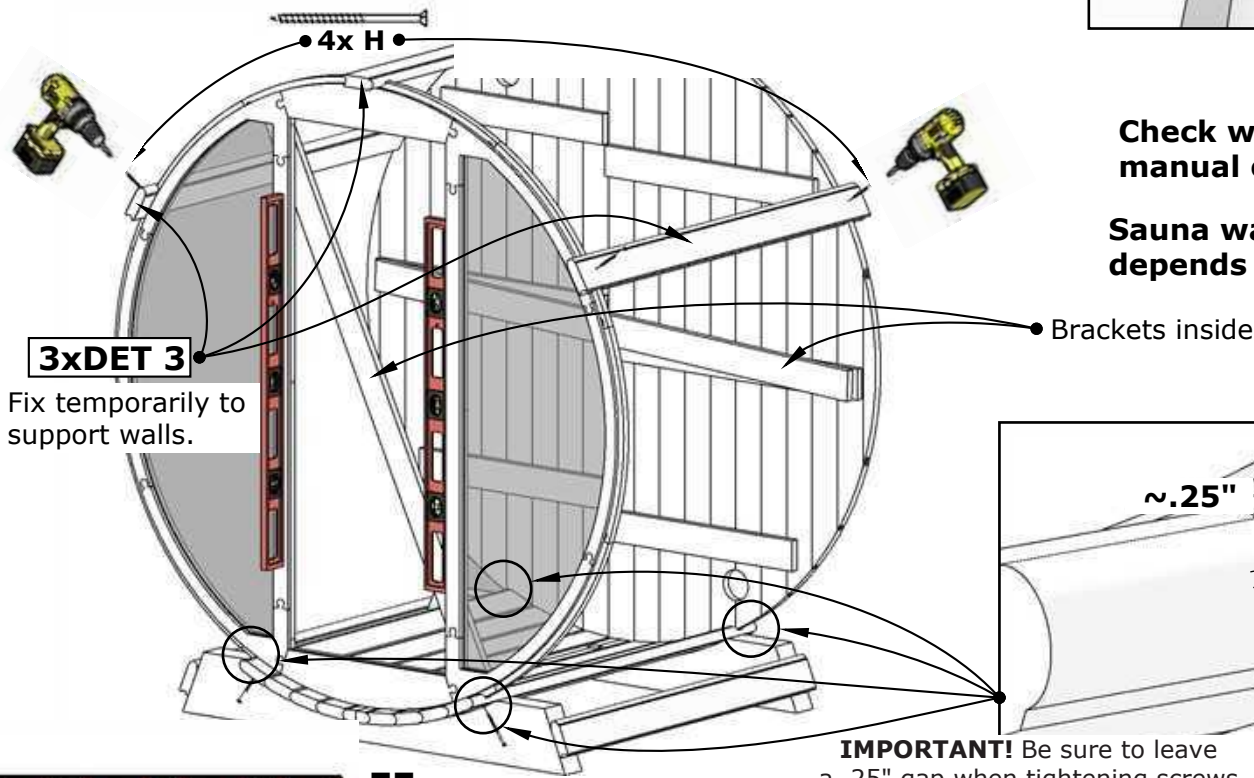


EE6G Barrel Sauna 63D" x 90H"

Drill 4 holes .50" through DET 2 outside



I

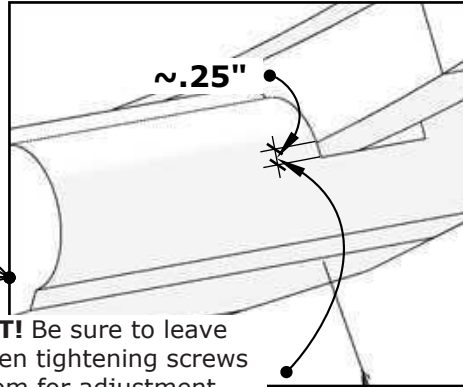


3xDET 3
Fix temporarily to support walls.

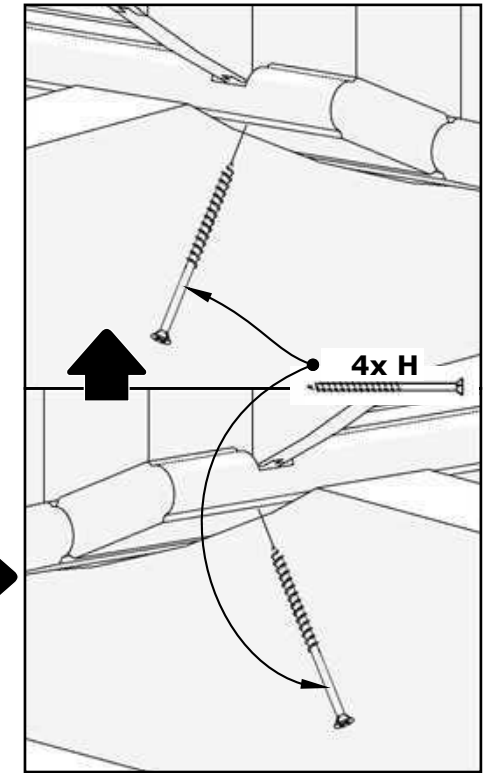
Check walls installation manual on extra pages!

Sauna wall configuration depends on Your model!

Brackets inside

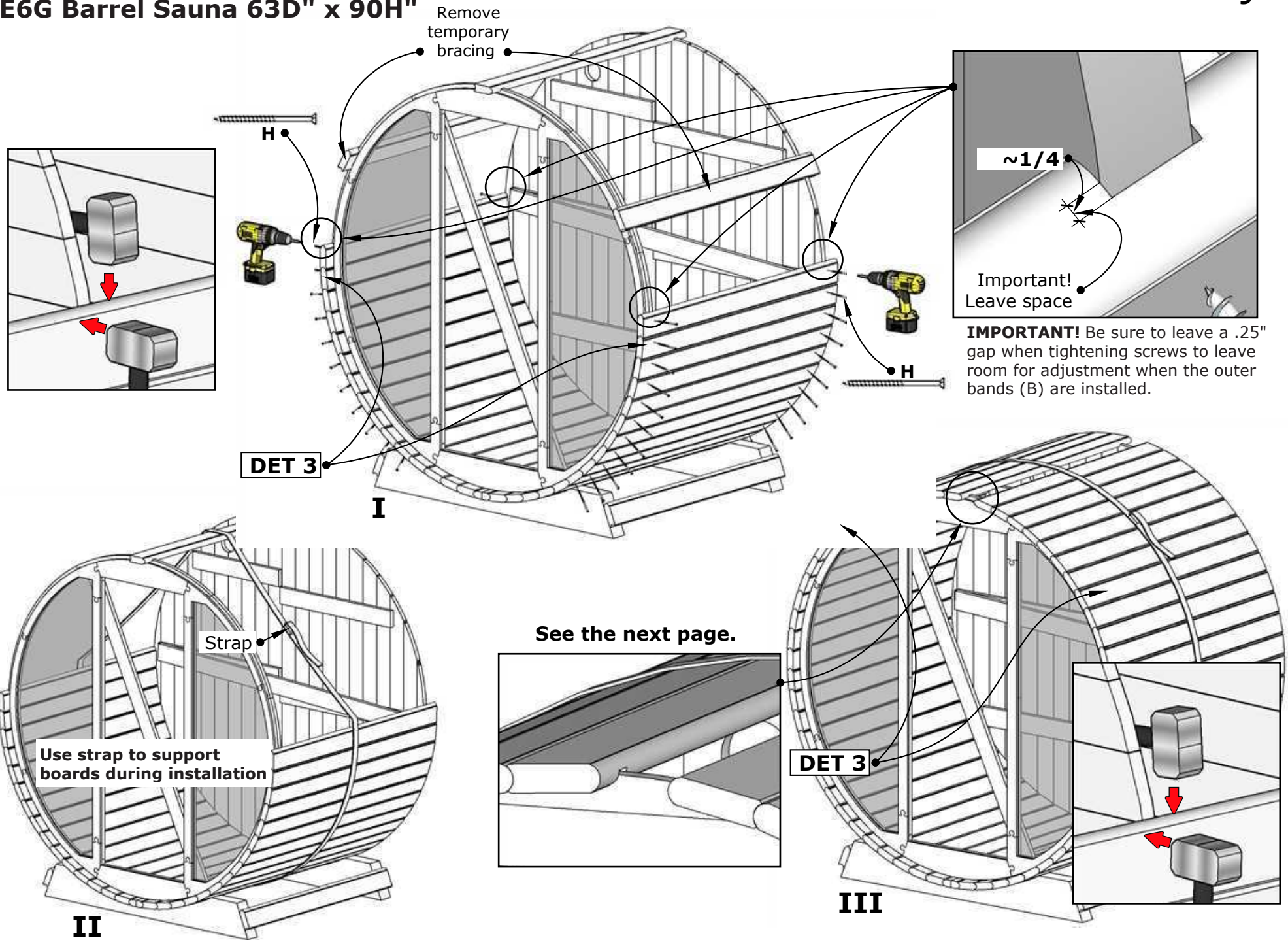


IMPORTANT! Be sure to leave a .25" gap when tightening screws to leave room for adjustment when the outer bands (B) are installed.

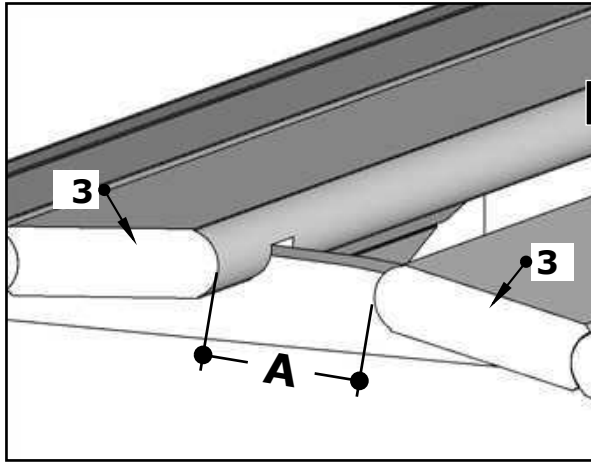


II

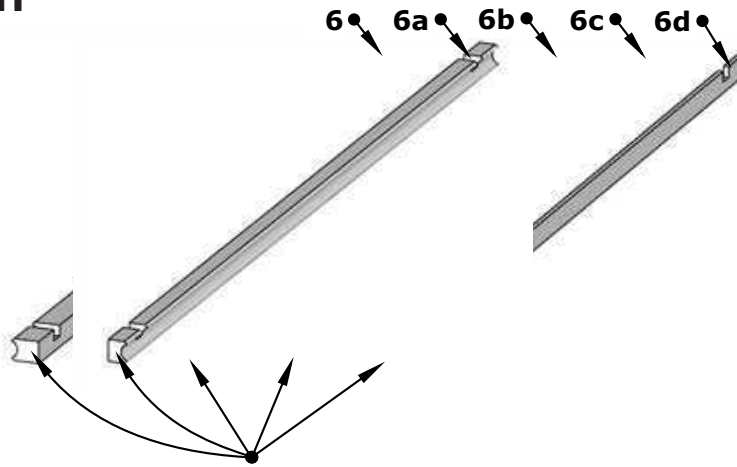
EE6G Barrel Sauna 63D" x 90H"



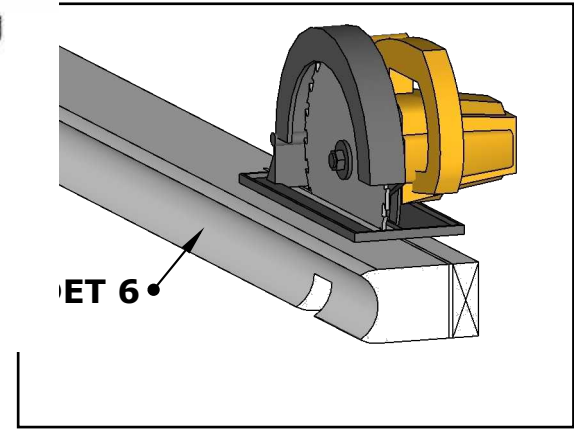
EE6G Barrel Sauna 63D" x 90H"



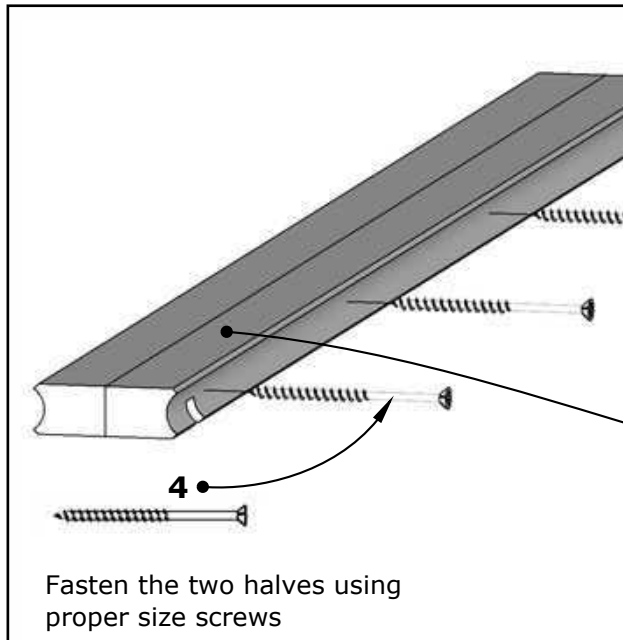
I



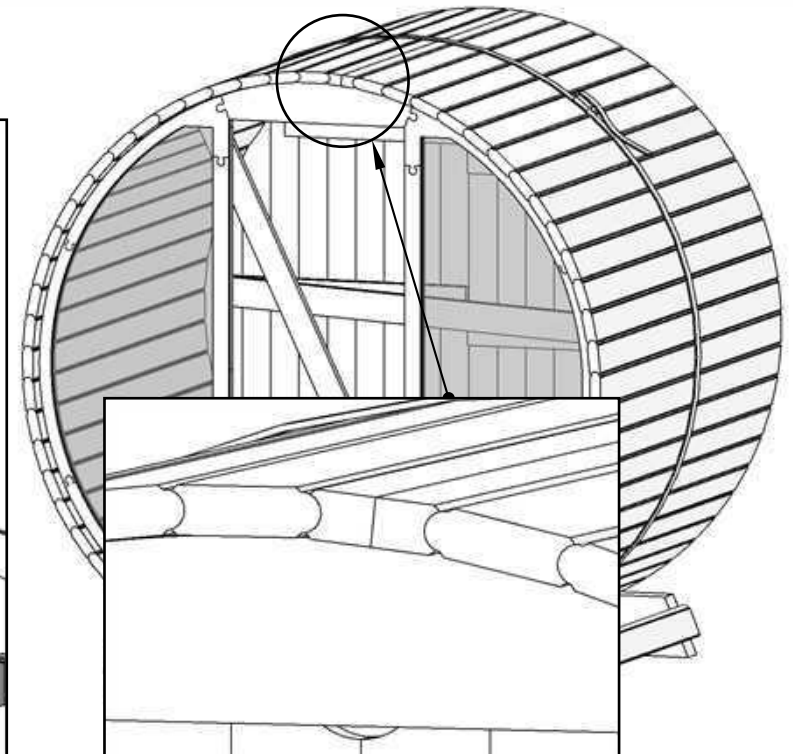
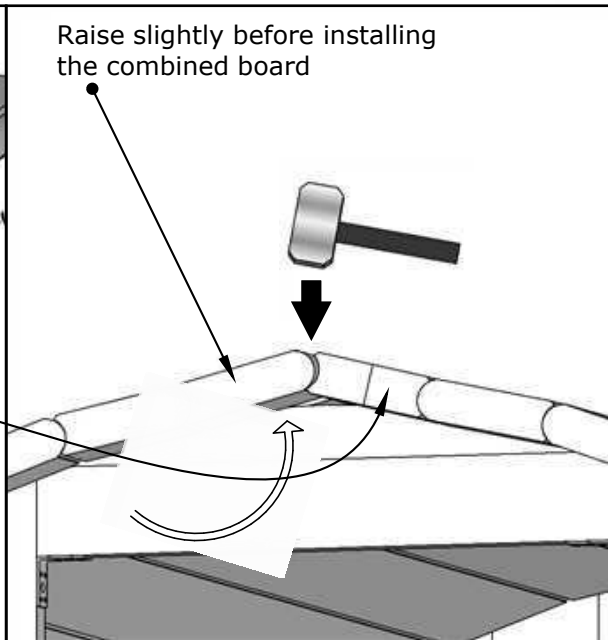
Join two boards together (as shown in diagram II) that will bridge the width of the "A" gap. It is recommended that the combined boards are approximately .25" wider than the gap.



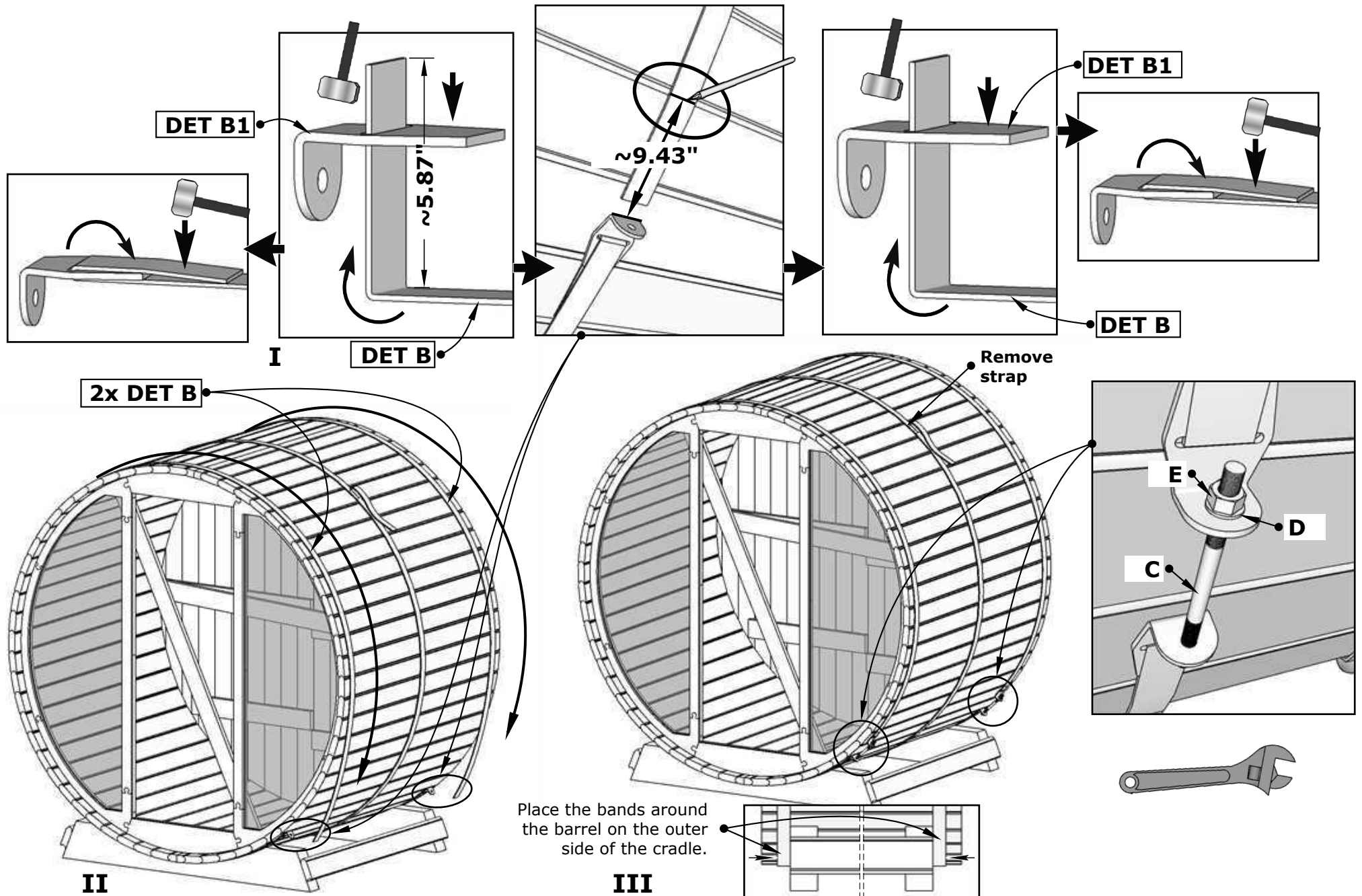
If needed, trim the flat edge of the board to create the desired width.



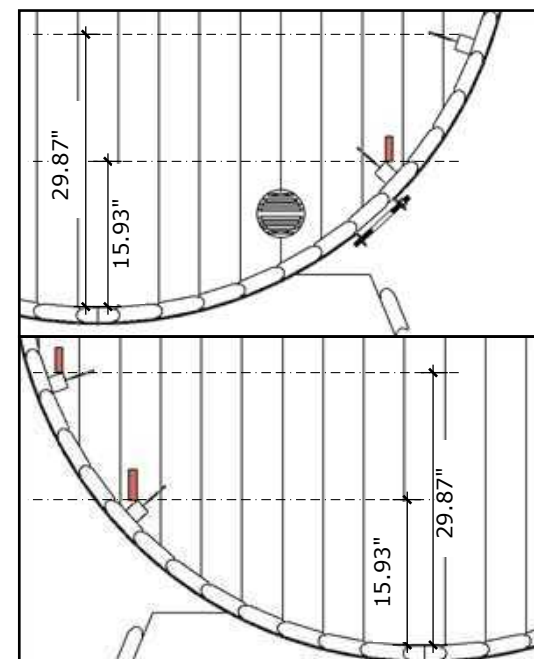
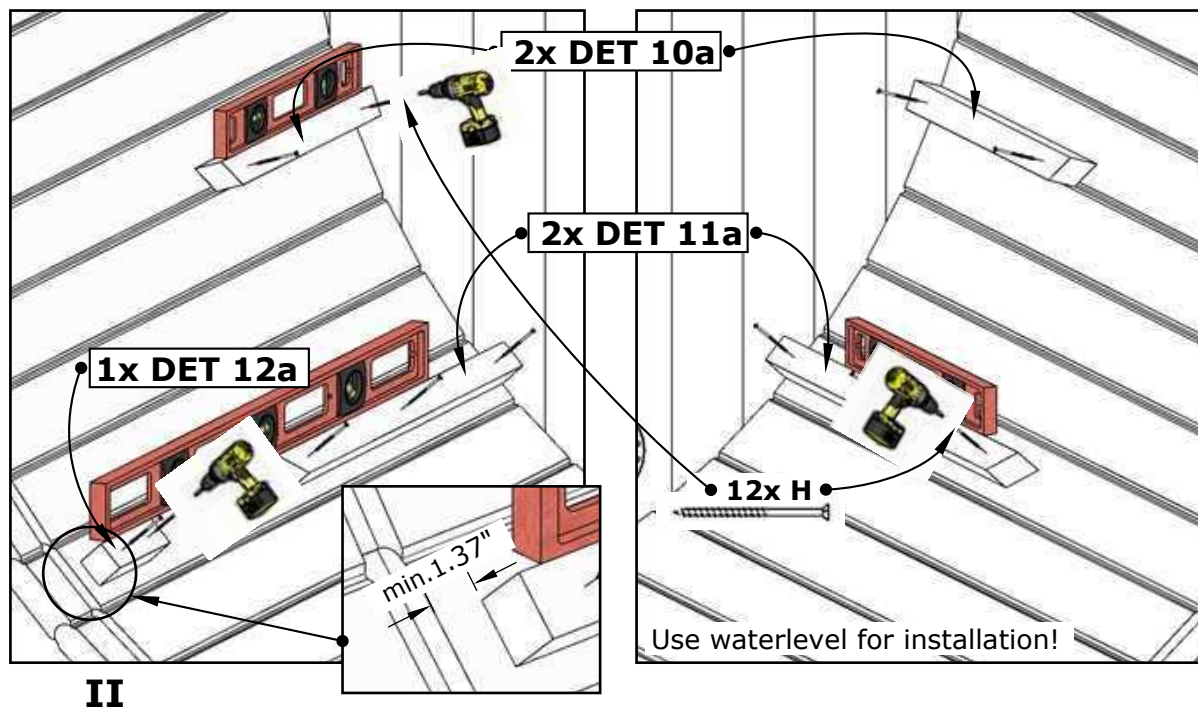
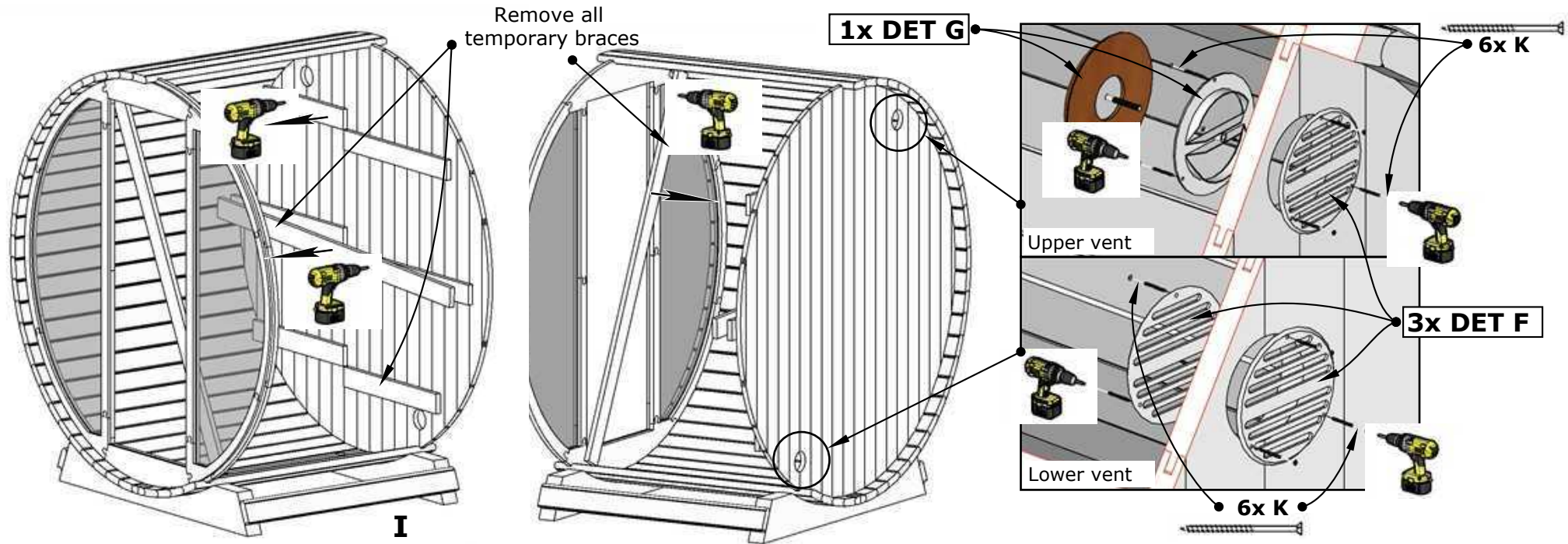
II



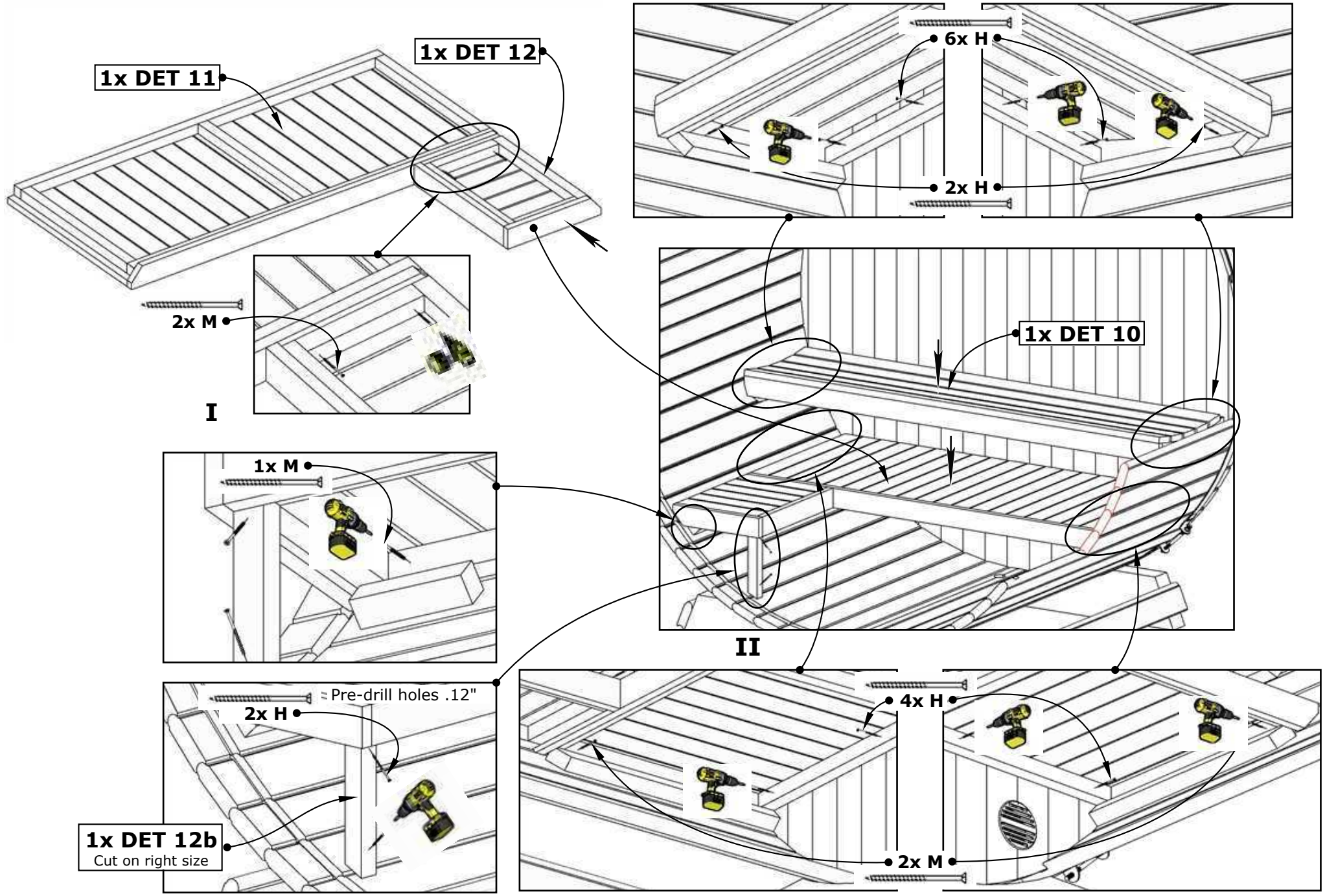
III

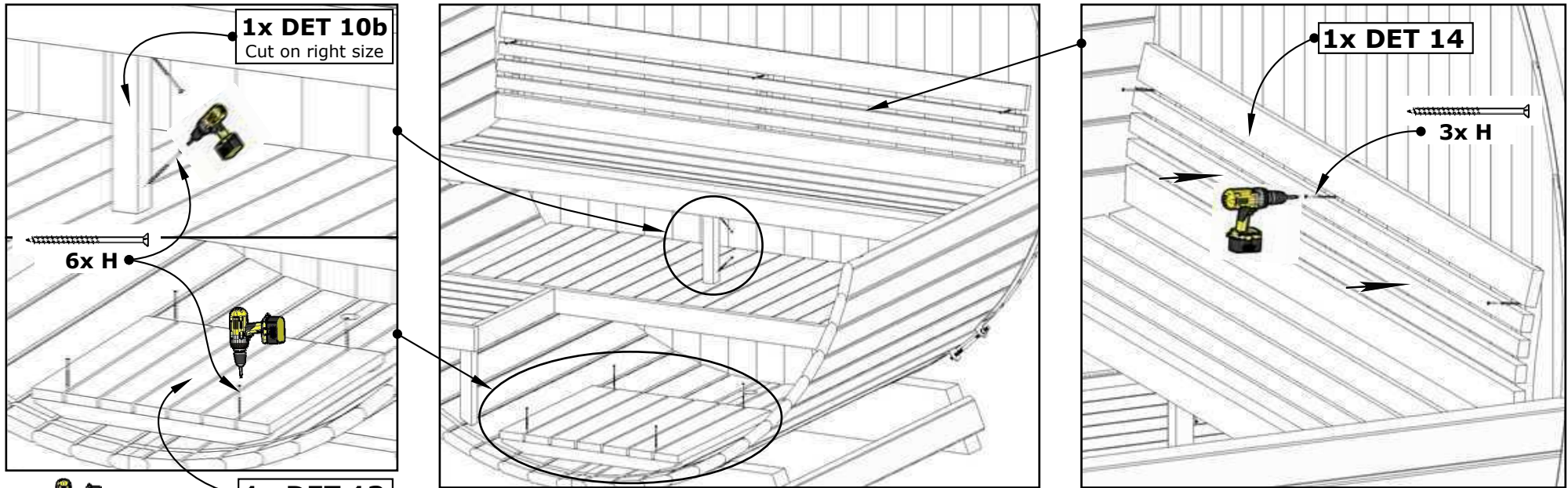


EE6G Barrel Sauna 63D" x 90H"



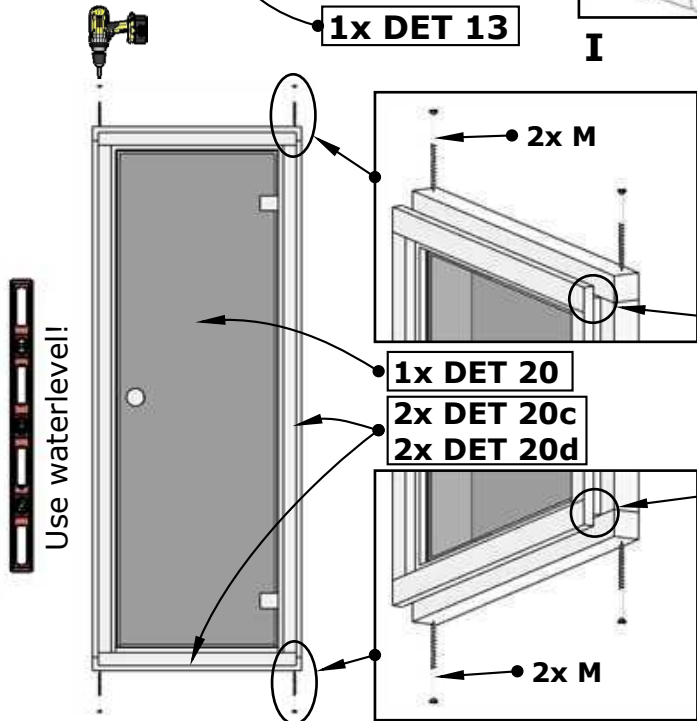
Use waterlevel for installation!



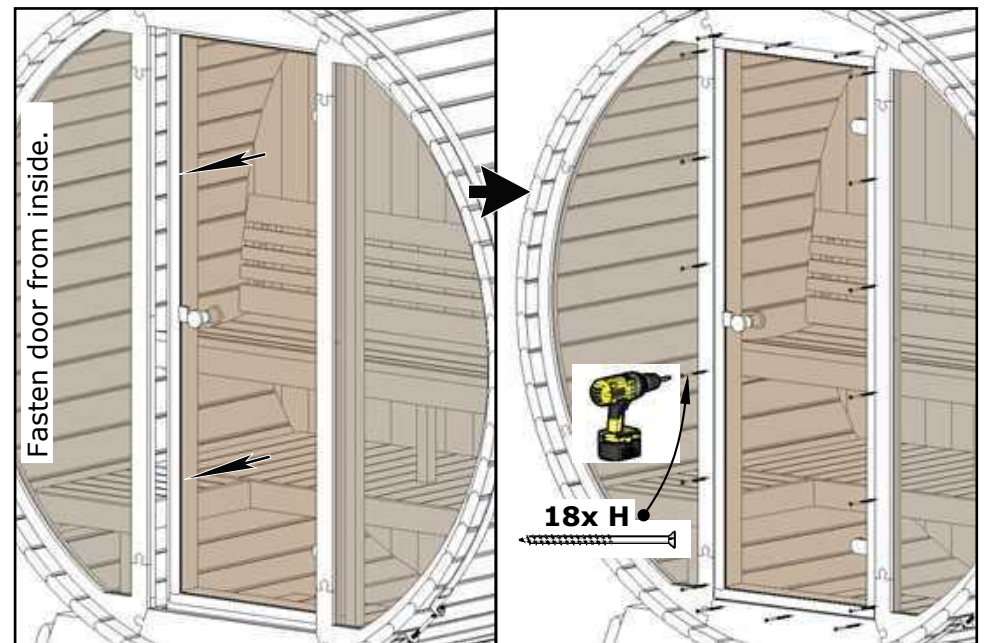


I

X= Front wall thickness
 Wooden front wall 1.12"
 Glass front wall 1.62"



II

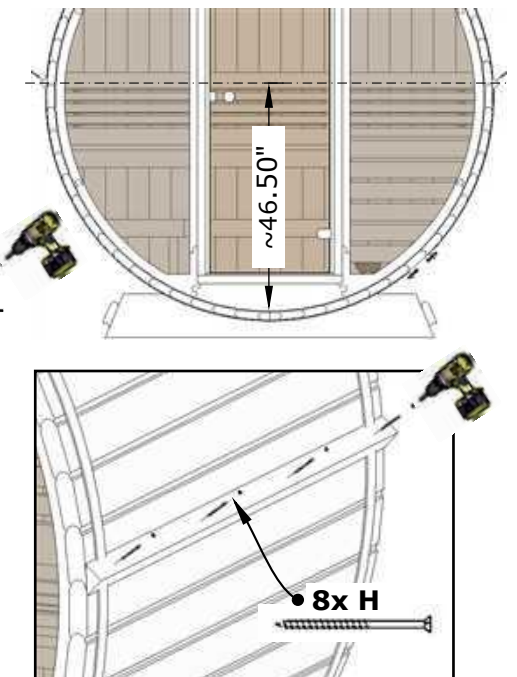
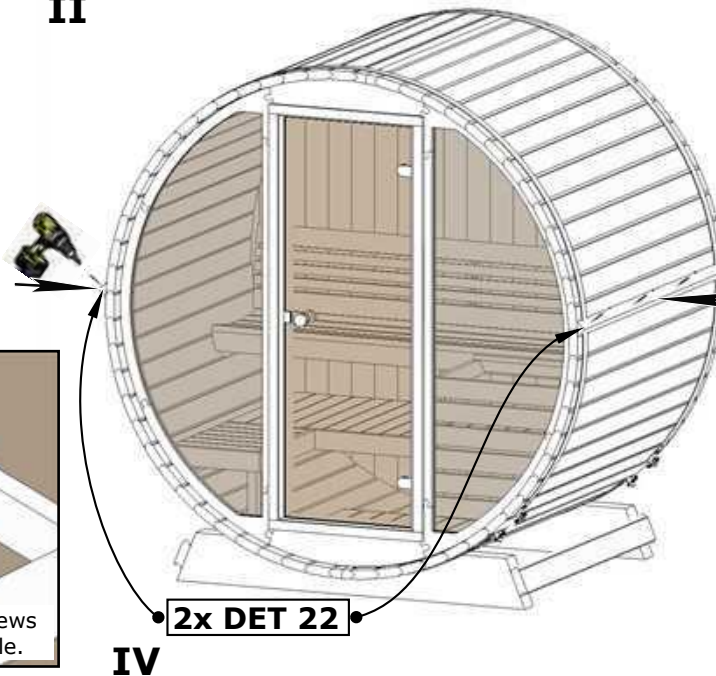
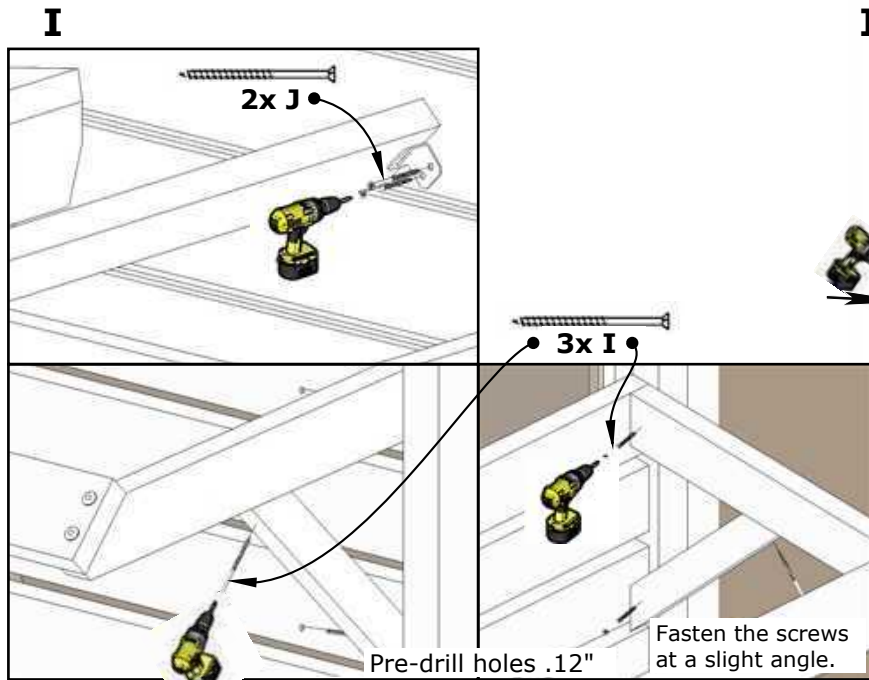
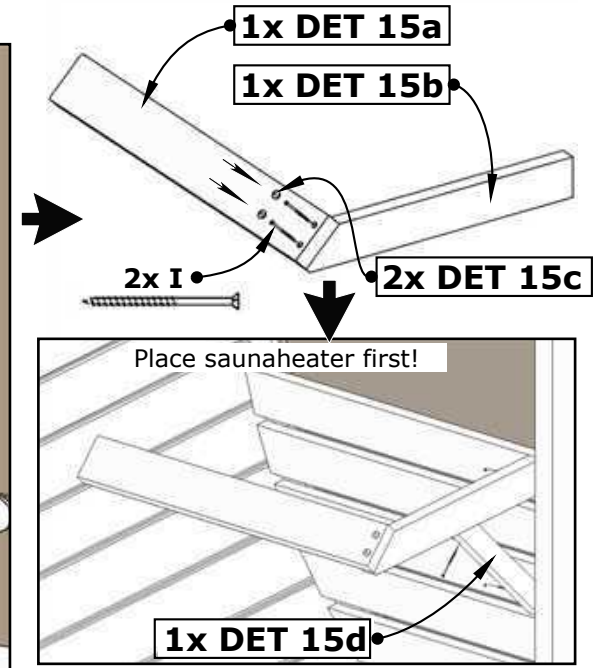
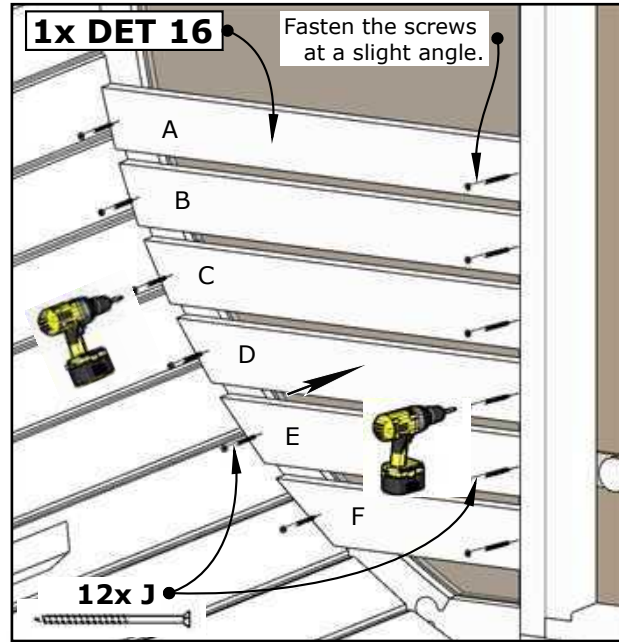
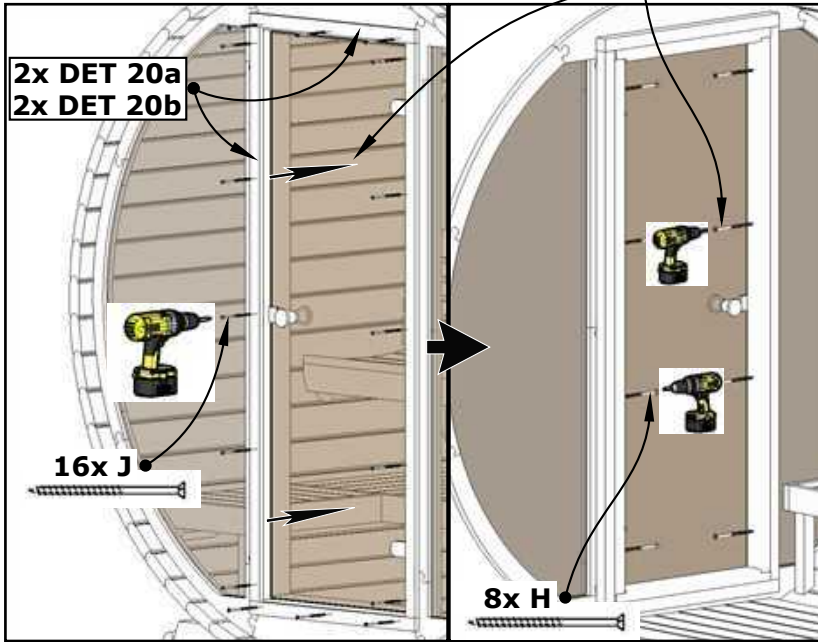


EE6G Barrel Sauna 63D" x 90H"

Ensure door frame is pressed tightly against the wall and fasten from inside

Please be careful!!! Do not hit the glass with the screw.

15



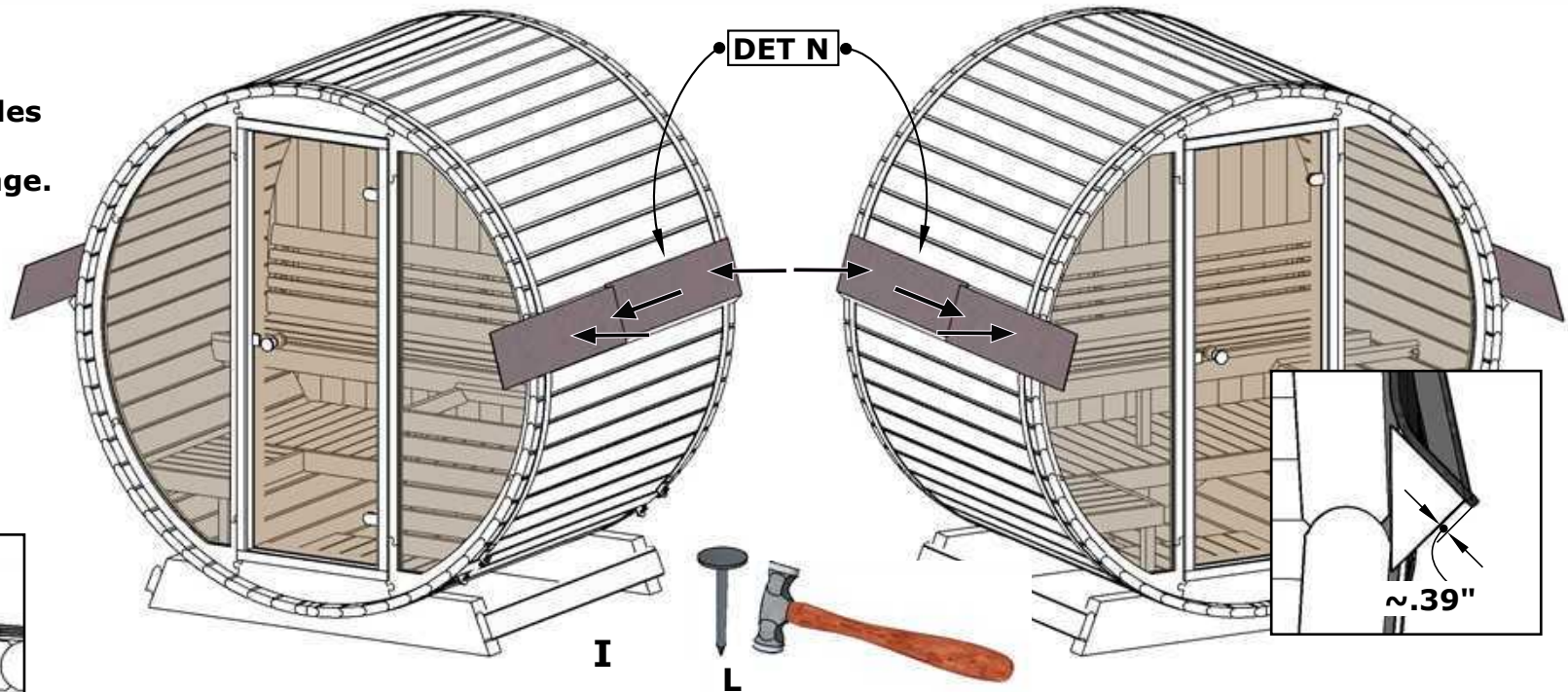
I

II

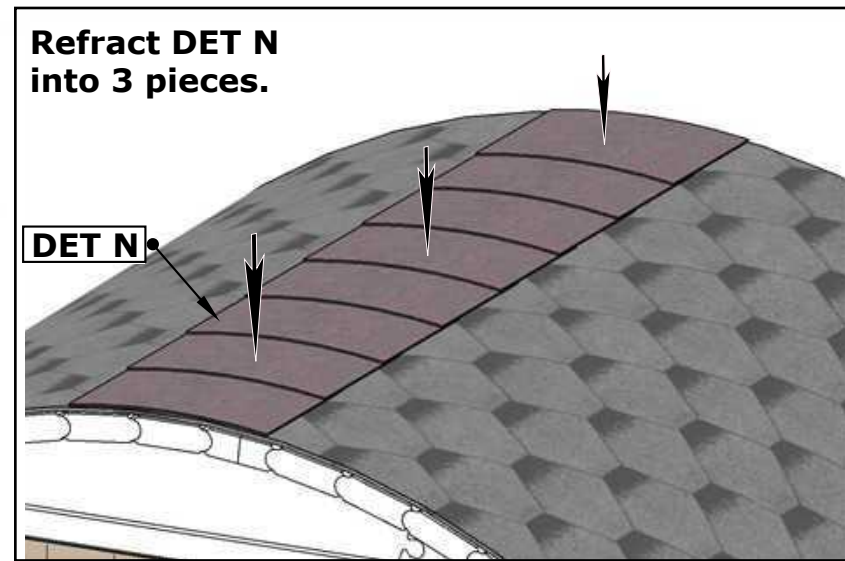
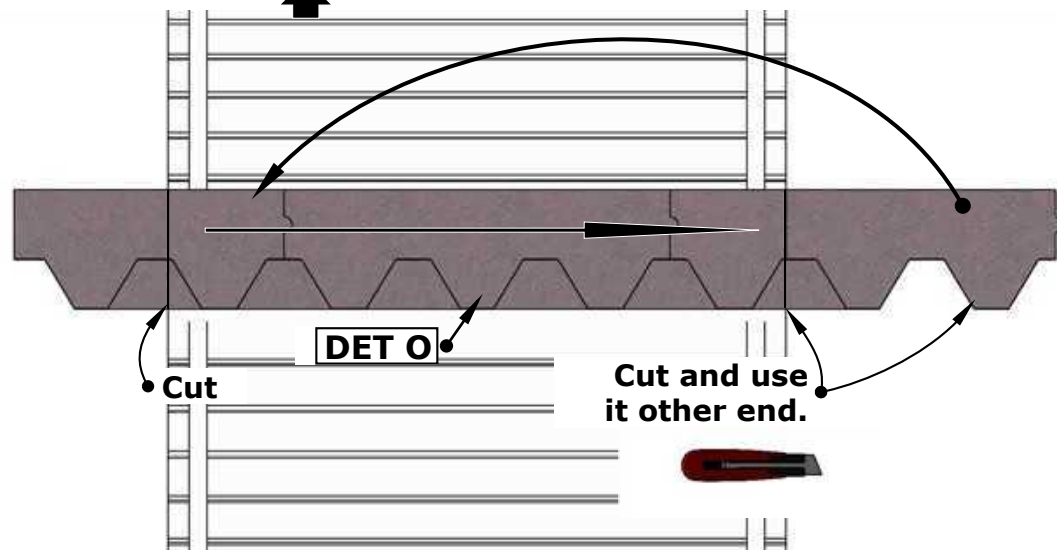
III

IV

NB! Check also shingles installation manual inside shingles package.



Check also roof shingles installation manual inside package.



II

III

